

### Head Office

1<sup>st</sup> Floor, Vyapar Bhavan, Kadia Kui,  
Relief Road, Ahmedabad - 380001.  
Ph:- 079 - 22160386, 65254835, 22134835  
Mobile : 7819819941, 9375706649

### Ahmedabad Branch

GF-B-14, Jayraj Complex, Nr. Soni ni Chawl,  
Odhav, Ahmedabad - 382415.  
Ph:- 079 - 22890202, 65458950, 65404657, 65400202  
Mobile : 7878825197, 7819819938, 9375706648

Website : [www.bearingtoolcentre.com](http://www.bearingtoolcentre.com), [www.bearingtoolscentre.com](http://www.bearingtoolscentre.com) | Email : [info@bearingtoolcentre.com](mailto:info@bearingtoolcentre.com)

## Our Sister Concern : RELIEF SERVICE CENTRE

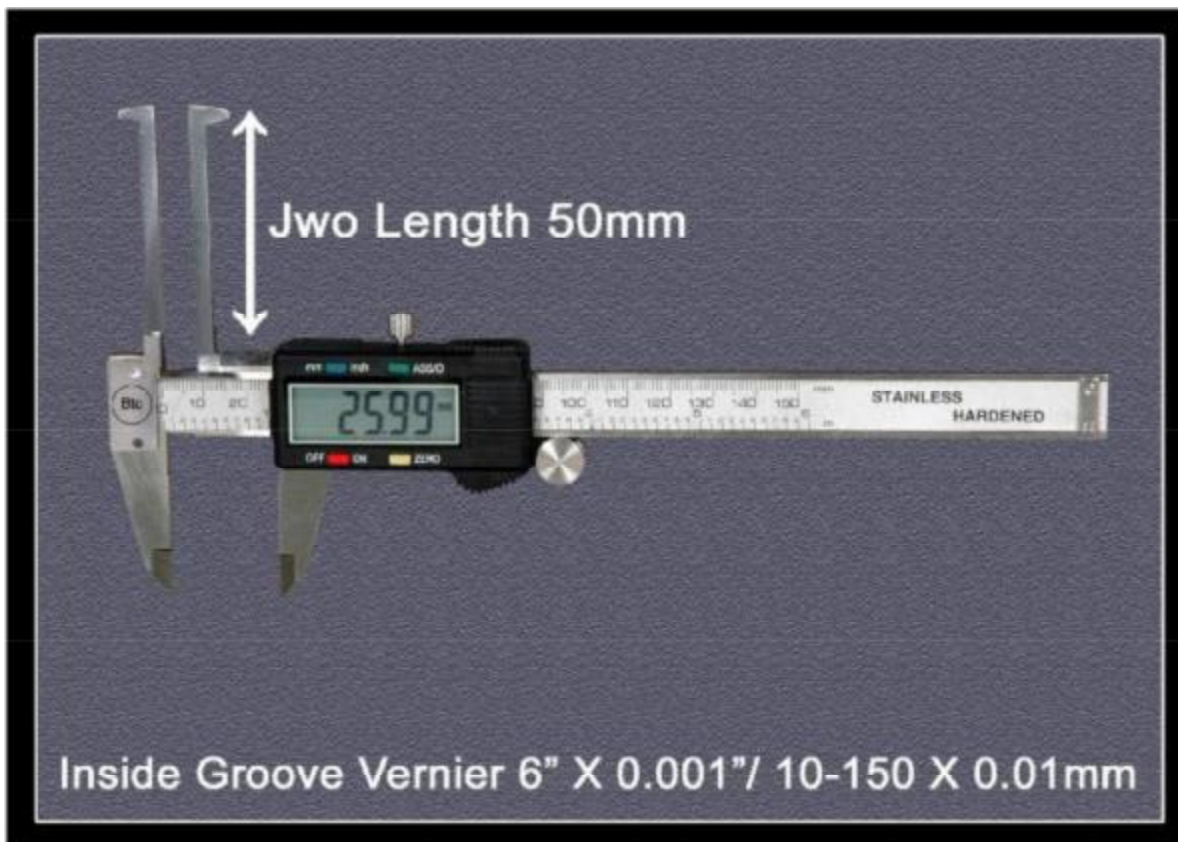
Repairs, Removal of Jaw Error, Bore Gauge Extension, Instrument Modifications & Spares

### Quotation

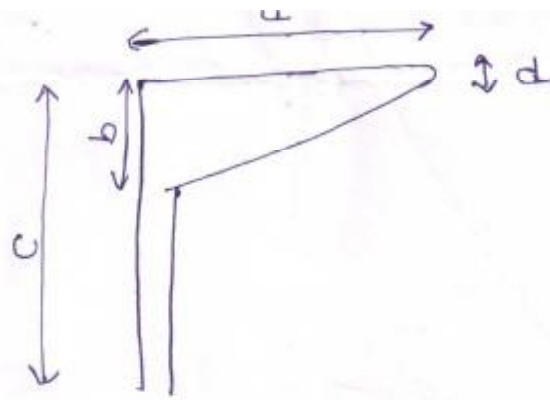
41 | Special Verniers and Attachments

41 - 1 | Inside Groove Digimatic Vernier

Size	Lease Count	10 – 150	10 – 200	10 – 300
On AerospaceRs.	0.01	5600	6800	8000
On InsizeRs.	0.01	6700	7700	9700
On MitutoyoRs.	0.01	9900	11550	22550



Mitutoyo Discount: 5%



① Submit / Provide us the dimensions a, b, c, & d.

2 Our dimensions are



**41 - 2 | Digimatic inside groove checking caliper – M & W make**

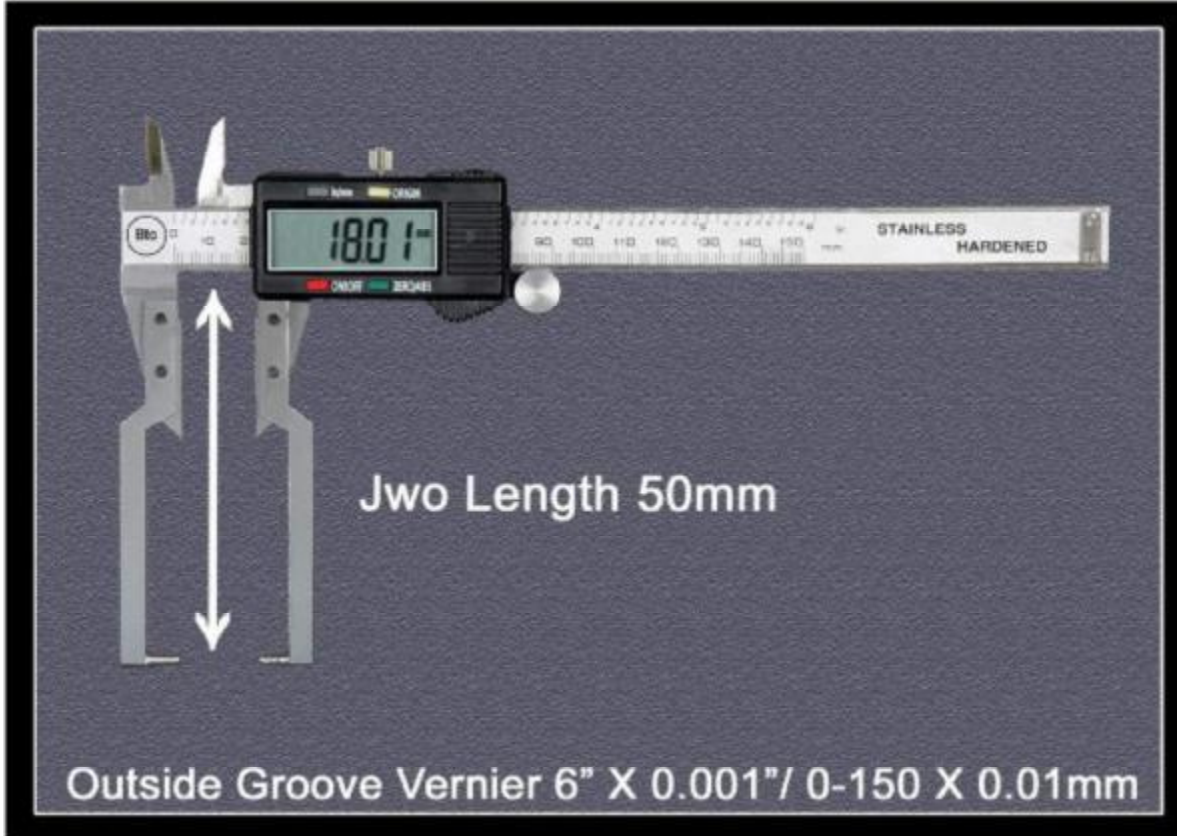
Size – mm	22 - 150	30 - 300
Rs.	5000	9000



**41 - 3 Outside Groove Digimatic Vernier**

Size	Lease Count	0 – 150	0 – 200	0 – 300
On AerospaceRs.	0.01	4700	5800	6900
On InsizeRs.	0.01	6700	7700	9700
On MitutoyoRs.	0.01	9900	11550	22550

Mitutoyo Discount: 5%

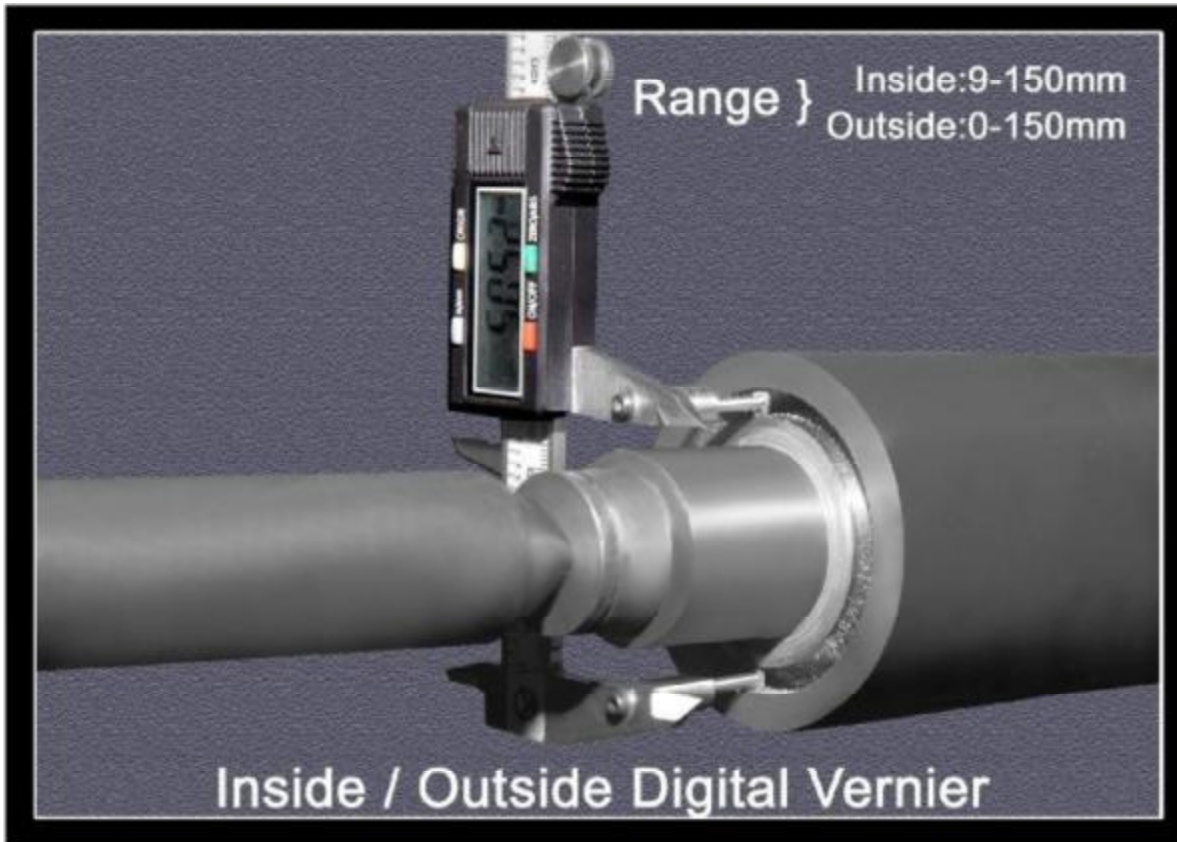


**41 - 4 Inside and Outside Digimatic Groove Vernier**

Size	Lease Count	0 – 150	0 – 200	0 – 300
On AerospaceRs.	0.01	6700	7800	8900
On InsizeRs.	0.01	8700	9700	11700
On MitutoyoRs.	0.01	11550	12650	25850

Mitutoyo Discount: 5%





41 - 5	Blade Type Vernier
--------	--------------------

Size	Lease Count	0 – 150	0 – 200	0 – 300
On InsizeRs.	0.02	3700	4700	6700
On MitutoyoRs.	0.02	6050	6600	9900

Mitutoyo Discount: 5%

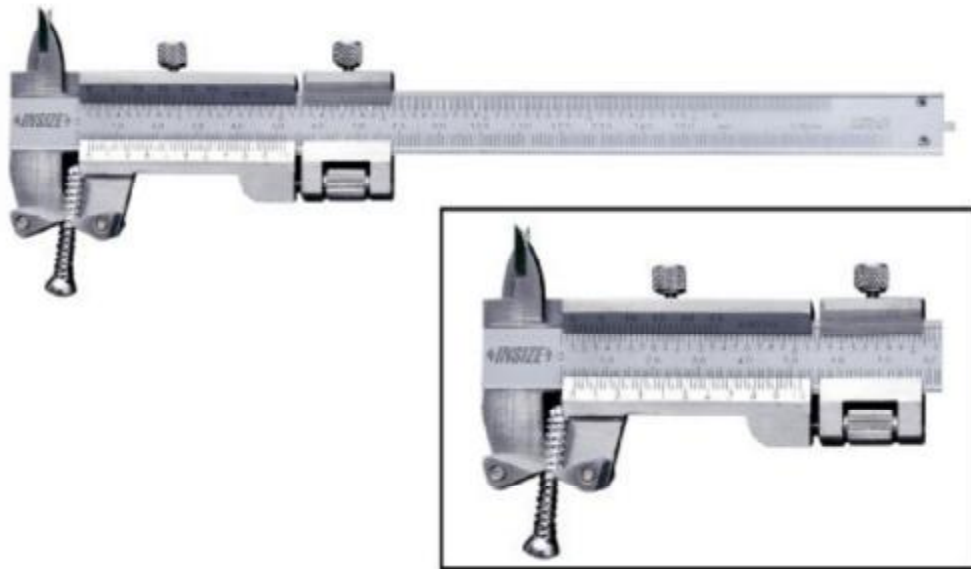
41 - 6	Digital Blade Type Vernier
--------	----------------------------

Size	Lease Count	0 – 150	0 – 200	0 – 300
On AerospaceRs.	0.01	6700	7800	8900
On InsizeRs.	0.01	8700	9700	11700
On MitutoyoRs.	0.01	11550	12650	25850

Mitutoyo Discount: 5%

Note:- Aerospace item once sold will not be taken back even if it is Faulty.

# Bladetype Vernier Caliper



## 41 - 7 Degree Type Vernier

Size	Least Count	0 - 150	0 - 200	0 - 300
On InsizeRs.	0.02	4700	5700	8700
On MitutoyoRs.	0.02	7150	7700	11000

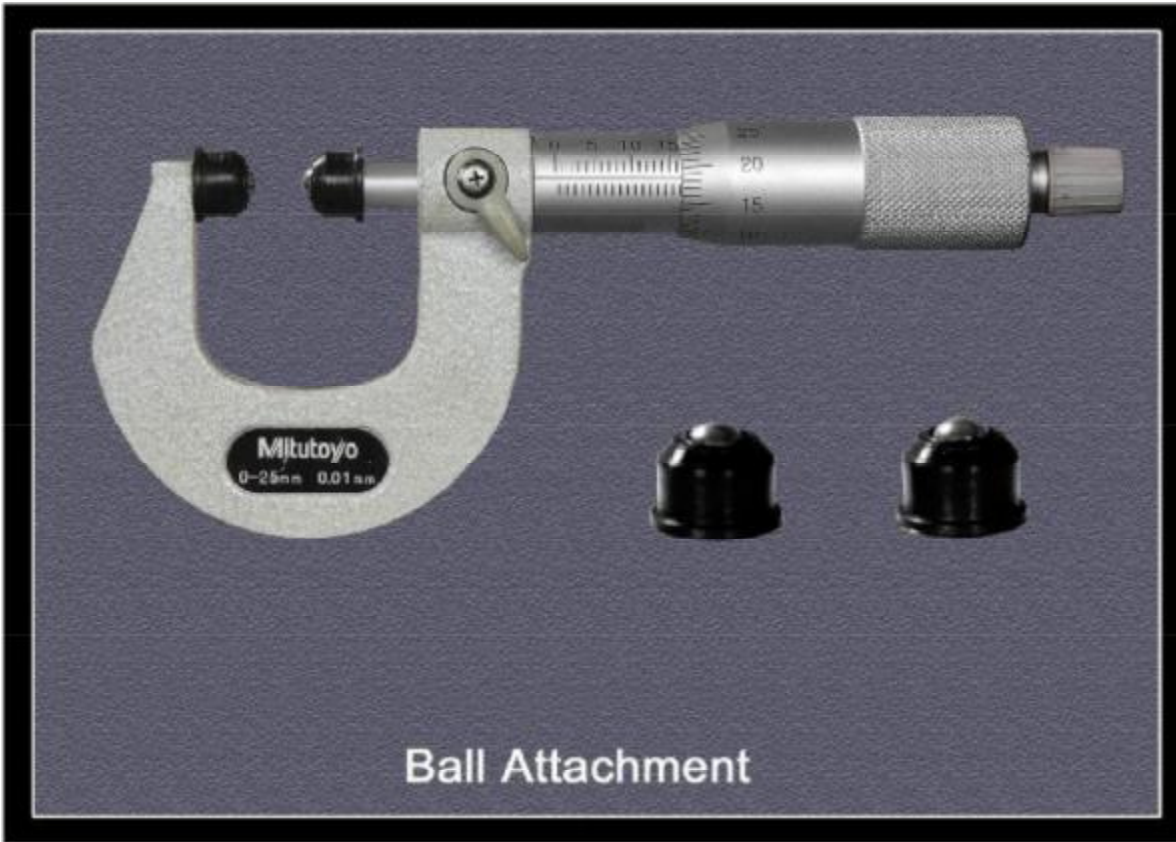
Mitutoyo Discount: 5%

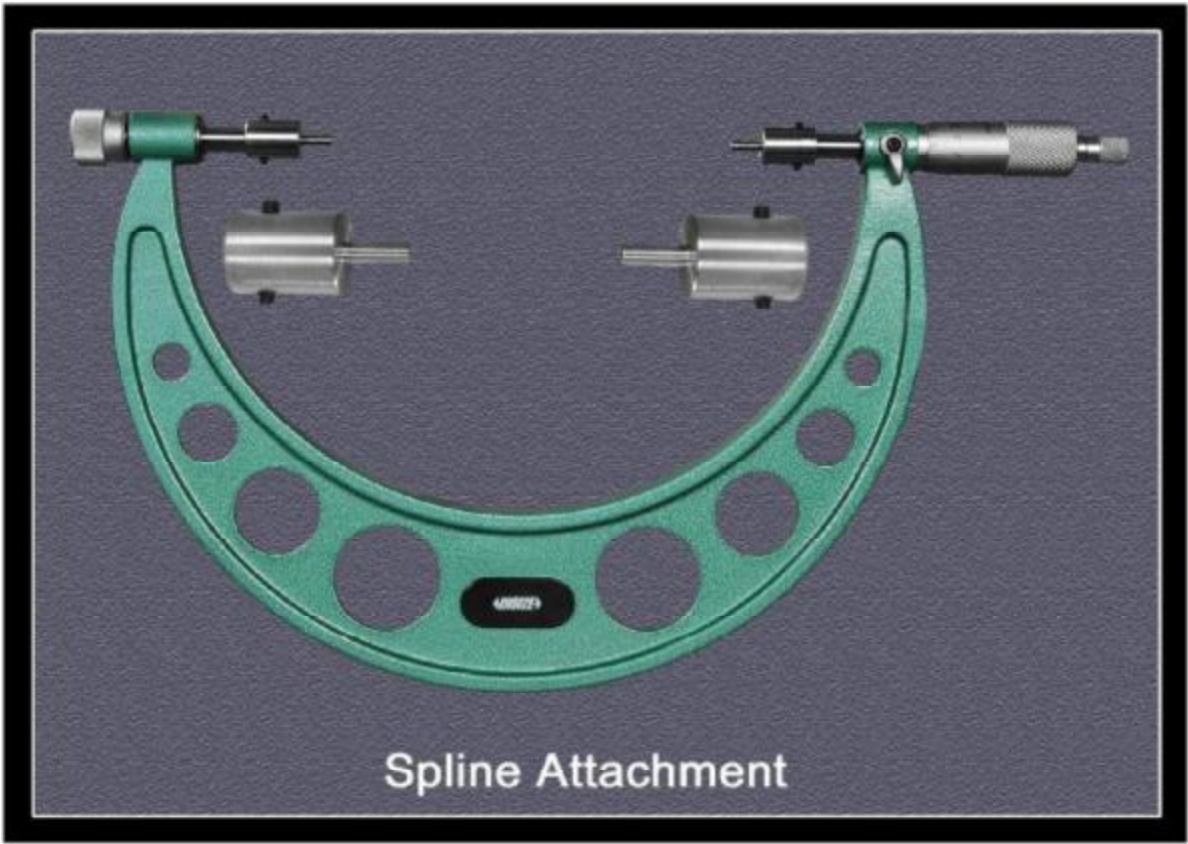


INSIDE / OUT SIDE JAW WITH DEGREE CALIPER

41 - 8 | Attachments

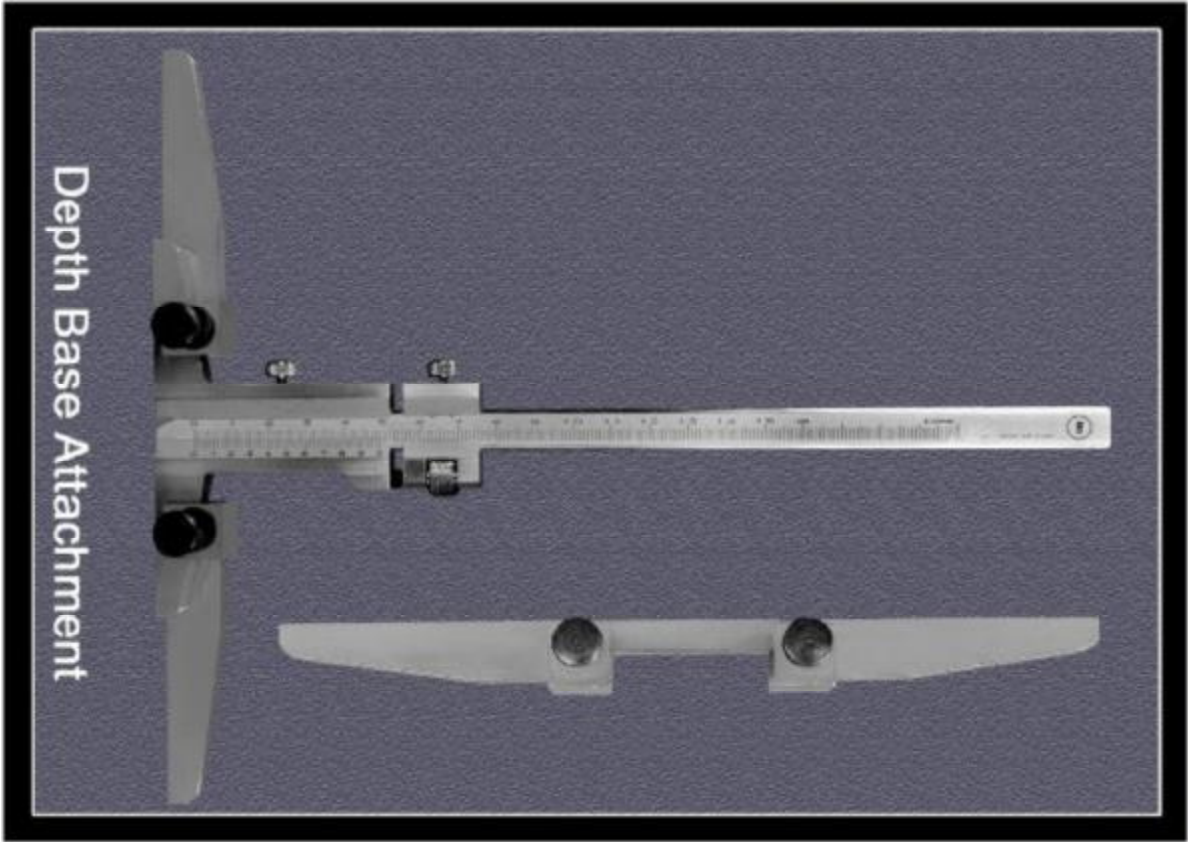
BTC make	Ball	Disc	Spline
Rs. - Pair	880	1320	1100





**41 - 9 | Depth Base Attachment**

Size -mm	200	300
Rs.	1100	1650



**41 - 10 Sheet Metal Micrometer – 50 to 75 x 0. 01 mm**

Size -mm	50 - 75
Rs.	7500



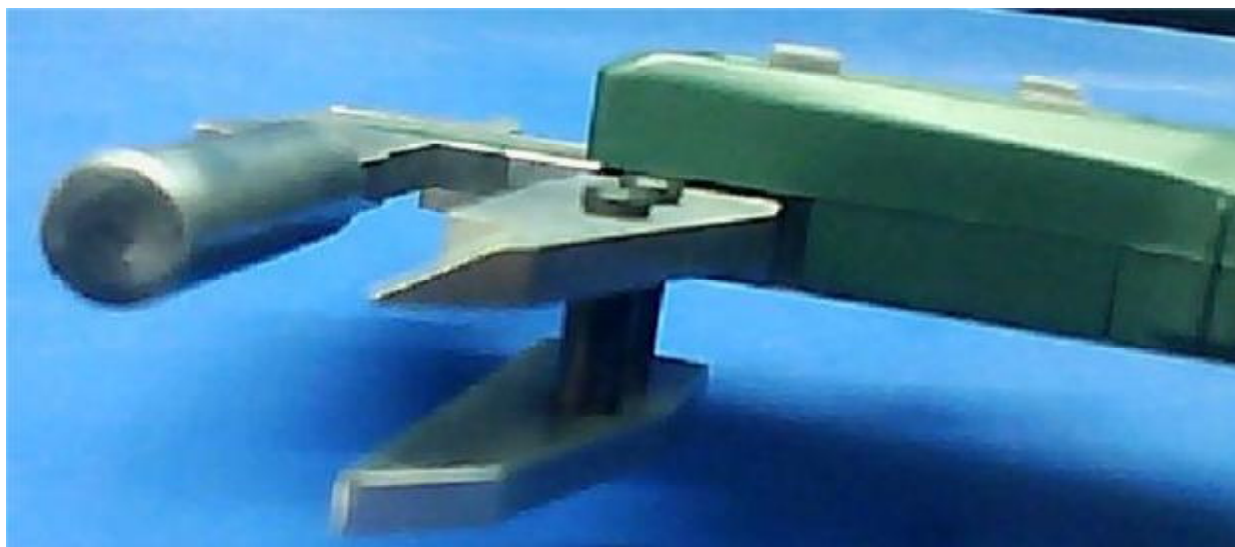
**41 - 11 Buzzer – Rs 1000.00**





**41 - 12 | Outside offset jaw with One round**

Size -mm	0 – 1500	0 – 200	0 – 300
Rs.	8000	10000	12000





## **Terms & Conditions –**

- Goods offered - Subject to Prior Sale
- Price Validity: "15 Days from Date of Quotation"
- C.S.T 2% extra against form C. Otherwise 5% without form C For Out of Gujarat Sales only.
- VAT 5% extra for Sales within Gujarat. Prices Ex-Godown Ahmedabad.
- Payment against Proforma Invoice, Packing, Forwarding & Freight extra.
- **Bank Detail** – Kotak Mahindra Bank Ltd.
- **Branch** – Shivranjini
- **Bank IFSC Code** - KKBK 0000 810
- **Bank Account No.** 08102 00000 2689
- Note - While making payment online do mention your Company's name.
- TIN NO 24070901229 , CST No. 24570901229
- We are looking forward to your valued orders.
- **On BTC make Delivery time Within 25 to 30 days.**