



# BEARING & TOOL CENTRE



## Head Office

1<sup>st</sup> Floor, Vyapar Bhavan, Kadia Kui,  
Relief Road, Ahmedabad - 380001.  
Ph:- 079 - 22160386, 65254835, 22134835  
Mobile : 7819819941, 9375706649

## Ahmedabad Branch

GF-B-14, Jayraj Complex, Nr. Soni ni Chawl,  
Odhav, Ahmedabad - 382415.  
Ph:- 079 - 22890202, 65458950, 65404657, 65400202  
Mobile : 7878825197, 7819819938, 9375706648

Website : [www.bearingtoolcentre.com](http://www.bearingtoolcentre.com), [www.bearingtoolscentre.com](http://www.bearingtoolscentre.com) | Email : [info@bearingtoolcentre.com](mailto:info@bearingtoolcentre.com)

## Our Sister Concern : RELIEF SERVICE CENTRE

Repairs, Removal of Jaw Error, Bore Gauge Extension, Instrument Modifications & Spares

### Quotation

#### 153 Spirit Level – Kristeel Make

Size	12”	24”
Model	SL 101	SL 102
Rs.	250	400
Catalog	Page No. – 3	Page No. – 3

#### 153 – 1 Spirit Level Box Section Aluminum Levels (BS) – Freemans Make

Size L(mm)	Without Magnetic Base				With Magnetic Base			Catalog
	1 Vials - Price	2 Vials - Price	3 Vials - Price	4 Vials - Price	2 Vials - Price	3 Vials - Price	4 Vials - Price	
100	46	-	-	-	-	-	-	Page No. – 4
300	-	117	129	-	158	170	-	Page No. – 4
450	-	169	181	-	209	222	-	Page No. – 4
600	-	229	242	-	270	282	-	Page No. – 4
900	-	316	328	-	397	408	-	Page No. – 4
1000	-	338	351	-	419	432	-	Page No. – 4
1200	-	396	407	-	477	488	-	Page No. – 4
1500	-	-	-	477	-	-	597	Page No. – 4
1800	-	-	-	543	-	-	664	Page No. – 4
2000	-	-	-	612	-	-	734	Page No. – 4
3000 ®							8500	Page No. – 4

#### 153 – 2 Basik Spirit Levels (BSL) – Freemans Make

Size L(mm)	Without Magnetic Base		With Magnetic Base
	1 Vials - Price	2 Vials - Price	2 Vials - Price
100	42	-	-
300	-	84	124
450	-	110	149
600	-	138	173
900	-	188	263
1000	-	210	273
1200	-	251	322

#### 153 – 3 Centigraff Box Section Aluminum Levels (CL) – Freemans Make

Size L(mm)	2 Vials - Price	3 Vials – Price
300	103	114
450	154	169
600	210	224
900	286	300
1000	305	318

1200	356	370
------	-----	-----

153 -4	Digital Spirit Level
--------	----------------------

Range-mm	250	300	600	1200	Catalog
Inch	10"	12"	24"	48	
Cm	25	30	60	120	
Freemans		2050	2670		Page No. 4-5
Bosch Rs.			11050	11400	
Code			<b>DNM 60L</b>	<b>DNM 120L</b>	Page No. 7
MGW(China) Rs.		2900	4600	7500	
Samsonic	4030				
Kapro Rs.	5000		8650		
Code	<b>985 D</b>		<b>985 D</b>		Page No. 8

\*\* D = Discount

## Terms & Conditions –

- ✚ Goods offered - Subject to Prior Sale
- ✚ Price Validity: "15 Days from Date of Quotation"
- ✚ C.S.T 2% extra against form C. Otherwise 5% without form C For Out of Gujarat Sales only.
- ✚ VAT 5% extra for Sales within Gujarat. Prices Ex-Godown Ahmedabad.
- ✚ Payment against Proforma Invoice, Packing, Forwarding & Freight extra.
- ✚ **Bank Detail** – Kotak Mahindra Bank Ltd.
- ✚ **Branch** – Shivranjini
- ✚ **Bank IFSC Code** - KKBK 0000 810
- ✚ **Bank Account No.** 08102 00000 2689
- ✚ Note - While making payment online do mention your Company's name.
- ✚ TIN NO 24070901229 , CST No. 24570901229
- ✚ We are looking forward to your valued orders.

# KRISTEEL MAKE

## SPIRIT LEVEL (MODEL – SL 101 / SL 102)



### SPIRIT LEVEL

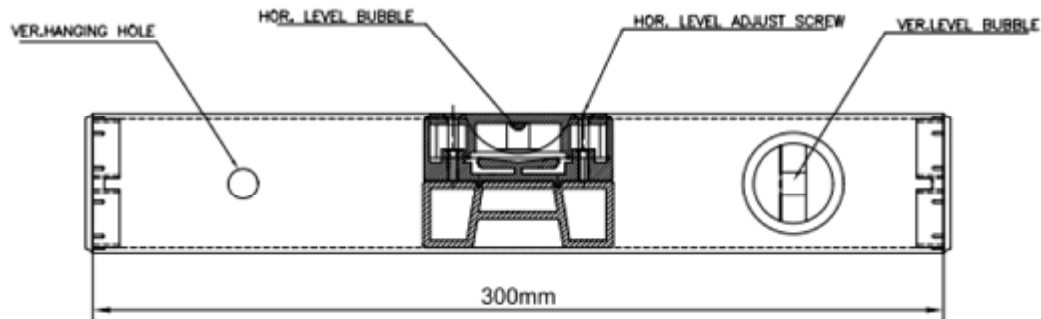
Execution : With horizontal and vertical bubble, of non deforming light-metal.

Length - 12 inch / 300 mm

Length - 24 inch / 600 mm

**SPIRIT LEVEL**

**KRISTEEL® - Shinwa**



**Material :-** Thick Extruded Fine machined Aluminium channel

**Channel Length :-** 300 mm

**Level checking :-** Horizontal and Vertical

**Finish :-** Channel is Powder coated  
and other parts are plastic moulded

**Uses :-** To check and Calibrate the Horizontal and Vertical Levels  
at Building construction site , Furniture making , Fabrication Industry

**Features :-**

- 1) Robust construction , Heavy Channel duly fine machined
- 2) Injection moulded versIn plastic parts long lasting
- 3) Each assembly is Calibrated Inhouse ( Do not disturb levels )
- 4) Horizontal & Vertical Spirit Vials can be Recalibrated  
Horizontal Level bubble can adjust by loosen/tightening two screws  
Vertical Level Bubble can adjust by rotating Plastic case assy.  
While Callibrating level bubbles Use Callibrated Surface Table as a Master
- 5) Each assembly is packed in plastic skin packing to avoid damage.

**AVAILABLE OTHER MODELS :-** 12" & 24" LONG CHANNELS

# FREEMANS MAKE



**BS BOX SECTION FREEMANS ALUMINUM LEVEL**

Size 25/30/45/50/60/75/80/90/100/120/150/180/200cm

- Heavy duty ribbed body for extra strength and improved grip for professional use.
- Strengthened end caps for extra protection and convenient handling
- Magnetic base optional

Option	Quantity	Comments if any
HP Spirit Level 25 cm ▼	<input type="text" value="1"/>	<input type="text"/>

**CL1/CL2 BOX SECTION FREEMANS ALUMINUM LEVEL**

Size 12/16/20/25/30/45/60/80/90/100/120cm

- Economical light profile for normal use.
- Metric graduated edge for linear measurement
- Magnetic base optional

Option	Quantity	Comments if any
HP Spirit Level 12 cm ▼	<input type="text" value="1"/>	<input type="text"/>



Block Vial



Magnetic base with extra strong magnet



Angle Setter A-1



Angle Setter S-1

# DIGITAL SPIRIT LEVEL

30cm | 60cm | 120cm

HANGING  
HOLE



SHOCK PROOF  
END CAPS



MAGNETIC  
BASE



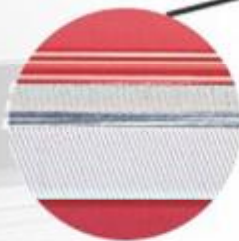
ACCURATE  
MEASUREMENTS  
FROM BOTH  
SURFACES



ILLUMINATED  
DIGITAL  
DISPLAY



MACHINED EDGES  
FOR HIGHER  
MEASUREMENT  
ACCURACY



SOFT  
CARRYING  
HANDLE



EMANS  
SSIONAL

FREE  
CARRY  
BAG



CE

# TECHNICAL SPECIFICATIONS - Digital Spirit Level

Product Features	Size		
	30m	60m	120m
LCD Measurement Accuracy	+/- 1 Degree		
Vial Measurement Accuracy Top Surface	0.75mm/m		
Vial Measurement Accuracy Bottom Surface	0.50mm/m		
Measurement Units	Degree/%/mm per m		
Automatic Backlight	Yes		
Automatic Shutdown	180s		
Battery	1.5V 2*AAA		
1 Year Warranty	Yes		
Operating Temperature	0C to 40C		
Machined Measurement Surfaces	Yes		
Both Surface Measurement Function	Yes		
Magnetic Base	Yes		
Shock-Proof End Caps	Yes		
Carrying Handle	No	Yes	Yes
Hanging Hole	Yes		
Carrying Bag	Yes		
CE Certification	Yes		



**Digital Inclinometer  
DNM 60 L Professional**  
Sturdy inclinometer

**Digital Inclinometer  
DNM 120 L Professional**  
Sturdy inclinometer

<b>Technical Data</b>		
Length	60 cm	120 cm
Measurement range	0 – 360° (4 x 90°)	0 – 360° (4 x 90°)
Electronics measurement accuracy 0°/90°	± 0.05°	± 0.05°
Electronics measurement accuracy at 1°-89°	± 0.2°	± 0.2°
Measurement accuracy, vials	± 0.057° = ± 1 mm/m	± 0.057° = ± 1 mm/m
Power supply	1 x 9 V 6LR61	1 x 9 V 6LR61
Operating duration, approx.	200 h	200 h
Automatic deactivation facility, approx.	5 mins	5 mins
Weight approx.	0,7 kg	1,3 kg
Height	60 mm	60 mm
Part number	0 601 014 0..	0 601 014 1..

# KAPRO MAKE



**LEVELS**

**985D DIGIMAN®**

**PROFESSIONAL DIGITAL LEVEL**

Lengths

10"	24"	36"	48"	60"
25cm	60cm	90cm	120cm	150cm



Lifetime vial warranty  
Lifetime warranty on all vials  
See full warranty information on our website.

**Patented**



- 985D professional box level with Plumb Site
- Mems technology (Micro-Electro-Mechanical Systems)
- LCD with backlight
- 360° readout - flips in upside-down position
- HOLD function
- MODE function (**degree/percentage/pitch**)
- **MEMORY RECALL** ( 9 measurements)
- RECALIBRATION function and "false zero"
- Buzzer at 0°, 45° and 90°
- **Digital accuracy: 0.1°** at level and plumb, **0.2°** at other angles



\* Instruction manual included



UPSIDE-DOWN  
READOUT



USER-FRIENDLY  
FUNCTIONS



Shockproof End Caps



Magnetic

Rare-earth magnets  
Built into the frame to create  
a powerful magnetic surface  
for accurate hands-free leveling.



0,0005"/" (0,5mm/m)

Accuracy  
All vials are individually calibrated  
to an accuracy of 0,0005"/" (0,5 mm/m),  
or 0,025".



Shockproof Vials  
Solid Acrylic Shockproof Vials  
For superior accuracy. Tough, precise,  
and easy to read, they won't fog, leak,  
or break.



UV Resistant

UV Resistant  
To better withstand  
the fading effects  
of sunlight.



VPA  
Kapro's accuracy claims are verified  
by the German VPA laboratory: only  
Kapro levels carry this prestigious mark  
of quality.