



# BEARING & TOOL CENTRE



## Head Office

1<sup>st</sup> Floor, Vyapar Bhavan, Kadia Kui,  
Relief Road, Ahmedabad - 380001.  
Ph:- 079 - 22160386, 65254835, 22134835  
Mobile : 7819819941, 9375706649

## Ahmedabad Branch

GF-B-14, Jayraj Complex, Nr. Soni ni Chawl,  
Odhav, Ahmedabad - 382415.  
Ph:- 079 - 22890202, 65458950, 65404657, 65400202  
Mobile : 7878825197, 7819819938, 9375706648

Website : [www.bearingtoolcentre.com](http://www.bearingtoolcentre.com), [www.bearingtoolscentre.com](http://www.bearingtoolscentre.com) | Email : [info@bearingtoolcentre.com](mailto:info@bearingtoolcentre.com)

## Our Sister Concern : RELIEF SERVICE CENTRE

Repairs, Removal of Jaw Error, Bore Gauge Extension, Instrument Modifications & Spares

### Quotation

#### 17 | Spline Micrometer – **Insize** Make | Least count 0. 01 mm

Range	C	W	D%	0 – 25	0 – 25	25 – 50	50 – 75	75 – 100	100 – 125	125-150	150-175
Type				A	B	B	B	B	B	B	B
Rs.	N	6		4220	4366	4755	5159	5938	7388	8773	10849
Code ( 3233 )				25A	25BA	50BA	75BA	100BA	125BA	150BA	175BA
Calibration Rs.				250	250	250	250	275	275	275	275
Catalog				Page – 3	Page – 3	Page – 3	Page – 3	Page – 3	Page – 3	Page – 3	Page – 3

#### 17 – 1 | Digimatic Spline Micrometer - **Insize** Make | Least count 0. 001 mm

Range	C	W	D %	0 – 25	25 – 50	50 – 75	75 – 100	0 – 25	25 – 50	50 – 75	75 - 100
Type				A	A	A	A	B	B	B	B
Rs.	N	6		15306	16512	17796	18875	15306	16512	17796	18875
Code ( 3533 )				25A	50A	75A	100A	25BA	50BA	75BA	100BA
Calibration Rs.				250	250	250	250	250	250	250	250
Catalog				Page – 3	Page – 3	Page – 3	Page – 3	Page – 3	Page – 3	Page – 3	Page – 3

#### 17 – 2 | Digimatic Spline Micrometer – **Baker** make @ With 15% Discount

#### Spline Type: 3 mm X L 8 mm Carbide measuring faces.

Range(mm)	0 – 25	25 – 50	50 - 75	75 – 100
Rs.	4810	6020	7080	7540
Code	MMA25-S3	MMS50-S3	MMA75-S3	MMS100-S3
Catalog	Page – 4	Page – 4	Page – 4	Page – 4

Range(Inch)	0 - 1	1 - 2	2 - 3	3 – 4
Rs.	4810	6020	7080	7540
Code	INA1-S3	INA2-S3	INA3-S3	INA4-S3
Catalog	Page – 4	Page – 4	Page – 4	Page – 4

#### 17- 3 | Spline Micrometer – **Mitutoyo** Make | Least count 0. 01 mm

Range	C	W	D%	0 – 25	0 – 25	25 – 50	50 – 75	75 – 100	100–125	125–150	150–175
Type				A	B	A	A	A	A	A	A
Rs.	N	12	5	6547	6547	7475	8150	9177	10672	11321	11321
Code				111–115	111–215	111-116	111–117	111-118	111-119	111-120	111-121
Calbrat Rs.				250	250	250	250	250	275	275	275
Catalog				Page – 5	Page – 5	Page – 5	Page – 5	Page – 5	Page – 5	Page – 5	Page – 5

Range	C	W	D%	0 - 25	0 - 25	25 - 50	25 - 50	50 - 75	50 - 75	75 - 100	75 - 100
Type				A	B	A	B	A	B	A	B
Rs.	N	12	5	22875	22875	25712	25712	27207	27207	29152	27360
Code				331-251	331-261	331-252	331-262	331-253	331-263	331-254	331-264
Calibrat Rs.				250	250	250	250	250	250	250	250
Catalog				Page -5	Page - 5	Page - 5	Page - 5	Page - 5	Page - 5	Page - 5	Page - 5

\*\*\* W - Warranty , C - Certificate , D- Discount

## Terms & Conditions -

- Goods offered - Subject to Prior Sale
- Price Validity: "15 Days from Date of Quotation"
- C.S.T 2% extra against form C. Otherwise 5% without form C For Out of Gujarat Sales only.
- VAT 5% extra for Sales within Gujarat. Prices Ex-Godown Ahmedabad.
- Payment against Proforma Invoice, Packing, Forwarding & Freight extra.
- **Bank Detail** - Kotak Mahindra Bank Ltd.
- **Branch** - Shivranjini
- **Bank IFSC Code** - KKBK 0000 810
- **Bank Account No.** 08102 00000 2689
- Note - While making payment online do mention your Company's name.
- TIN NO 24070901229 , CST No. 24570901229
- We are looking forward to your valued orders.

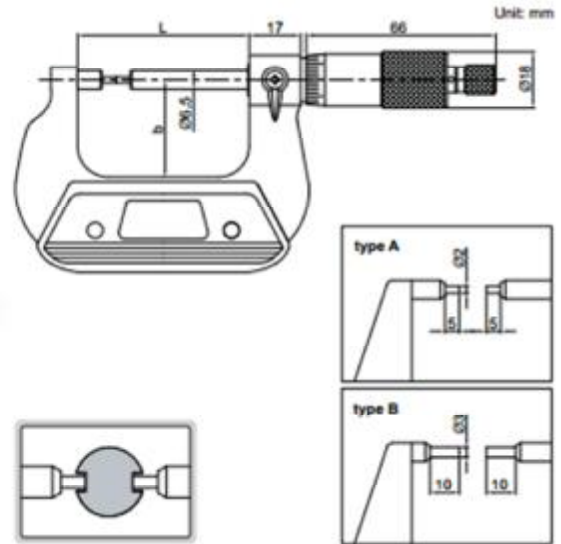
# INSIZE MAKE

## SPLINE MICROMETER



3233-25BA

Code	Range	Type	Accuracy	L	b
3233-25A	0-25mm	A	4μm	57	32
3233-25BA	0-25mm	B	4μm	57	32
3233-50BA	25-50mm	B	4μm	82	44.5
3233-75BA	50-75mm	B	5μm	107	57
3233-100BA	75-100mm	B	5μm	132.6	69.5
3233-125BA	100-125mm	B	6μm	158	82
3233-150BA	125-150mm	B	6μm	183.4	94.5
3233-175BA	150-175mm	B	7μm	208.8	107



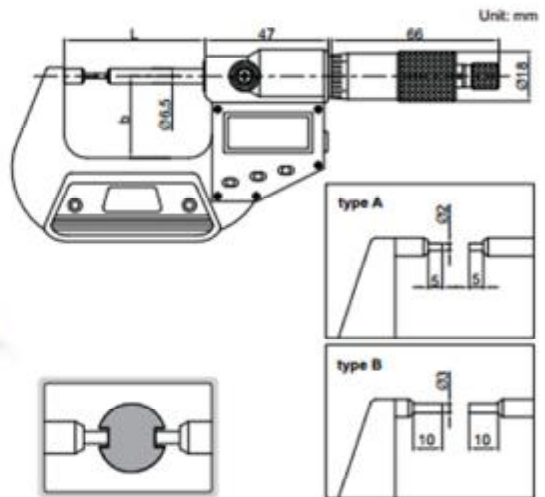
- Measure splined shafts, slots and keyways
- Graduation 0.01mm
- Ratchet stop
- Carbide measuring faces
- Supplied with setting standards(except 0-25mm)

## DIGITAL SPLINE MICROMETER



3533-25BA

Code	Range	Type	Accuracy	L	b
3533-25A	0-25mm/0-1"	A	±4μm	57	32
3533-50A	25-50mm/1-2"	A	±4μm	82	44.5
3533-75A	50-75mm/2-3"	A	±5μm	107	57
3533-100A	75-100mm/3-4"	A	±5μm	132.6	69.5
3533-25BA	0-25mm/0-1"	B	±4μm	57	32
3533-50BA	25-50mm/1-2"	B	±4μm	82	44.5
3533-75BA	50-75mm/2-3"	B	±5μm	107	57
3533-100BA	75-100mm/3-4"	B	±5μm	132.6	69.5



- Measure splined shafts, slots and keyways
- Resolution 0.001mm/0.00005"
- IP54 dust/waterproof
- Button function: on/off, set, mm/inch, ABS/INC, data output
- RS232 data output
- SR44 or LR44 battery, automatic power off
- Ratchet stop
- Carbide measuring faces
- Supplied with setting standards(except 0-25mm/0-1")
- Optional accessory: SPC cable (page A1-A2)

# BAKER MAKE

## SPECIAL MICROMETERS

**BAKER**  
A passion for precision

6) SPLINE TYPE : Ø3 mm X L 8 mm CARBIDE MEASURING FACES.

TYPE	RANGE	READING	₹
MMA25 - S3	0 - 25 mm	0.01 mm	4810
MMA50 - S3	25 - 50 mm	0.01 mm	6020
MMA75 - S3	50 - 75 mm	0.01 mm	7080
MMA100 - S3	75 - 100 mm	0.01 mm	7540

For measurement of recesses, grooves, splines, slots, keyways etc. Also suited for measuring small parts in precision work. Carbide tipped measuring faces.

Available with two combinations; Ø2 x Length 5 mm & Ø3 x Length 8 mm.



**Spline Micrometer :**

**Metric**

**Inch**

**Measuring face : Dia. 2 mm x Length 5 mm**

Type	Measuring Range	Reading
MMS-2-25	0-25 mm	0.01 mm
MMS-2-50	25-50 mm	
MMS-2-75	50-75 mm	
MMS-2-100	75-100 mm	

Type	Measuring Range	Reading
S-2-IN 1	0-1 inch	0.001 inch
S-2-IN 2	1-2 inch	
S-2-IN 3	2-3 inch	
S-2-IN 4	3-4 inch	

**Measuring face : Dia. 3 mm x Length 8 mm**

Type	Measuring Range	Reading
MMS-3-25	0-25 mm	0.01 mm
MMS-3-50	25-50 mm	
MMS-3-75	50-75 mm	
MMS-3-100	75-100 mm	

Type	Measuring Range	Reading
S-3-IN 1	0-1 inch	0.001 inch
S-3-IN 2	1-2 inch	
S-3-IN 3	2-3 inch	
S-3-IN 4	3-4 inch	

**MITUTOYO MAKE**

# Spline Micrometers

SERIES 331, 111

SPC



IP65

(Refer to the page 9 for details.)

## FEATURES

- IP65 water/dust protection (series 331).
- The anvil and spindle have a small diameter for measuring splined shafts, slots, and keyways.
- With Ratchet Stop for constant force.
- With SPC output (series 331).



## Technical Data

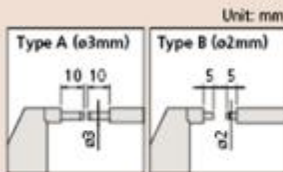
Accuracy: Refer to the list of specifications, (excluding quantizing error for digital models)  
 Resolution\*: 0.001mm or .00005"/0.001mm  
 Graduation\*\*: 0.01mm, .001" or .0001"  
 Flatness: 0.3µm  
 Parallelism: (2+R/100)µm, R = max. range (mm)  
 \*fraction rounded up  
 Measuring faces: Carbide tipped  
 Display\*: LCD  
 Battery\*: SR44 (1 pc), 938882  
 Battery life\*: Approx. 1.2 years under normal use  
 Dust/Water protection level\*: IP65  
 \*Digital models \*\*Analog models

## Function of Digital Model

Origin-set, Zero-setting, Data hold, Automatic power ON/OFF, Data output, inch/mm conversion (inch/mm models)  
 Alarm: Low voltage, Counting value composition error

## Optional Accessory for Digital Model

05CZA662: SPC cable with data switch (1m)  
 05CZA663: SPC cable with data switch (2m)



## SPECIFICATIONS

Metric		Digital model	
Range	Order No.	Accuracy	Remarks
0 - 25mm	331-251	±2µm	Type A
	331-261	±2µm	Type B
25 - 50mm	331-252	±2µm	Type A
	331-262	±2µm	Type B
50 - 75mm	331-253	±2µm	Type A
	331-263	±2µm	Type B
75 - 100mm	331-254	±3µm	Type A
	331-264	±3µm	Type B

Metric			
Range	Order No.	Accuracy	Remarks
0 - 25mm	111-115	±3µm	Type A
	111-215	±3µm	Type B
25 - 50mm	111-116	±3µm	Type A
50 - 75mm	111-117	±3µm	Type A
75 - 100mm	111-118	±4µm	Type A
100 - 125mm	111-119	±4µm	Type A
125 - 150mm	111-120	±4µm	Type A
150 - 175mm	111-121	±5µm	Type A
175 - 200mm	111-122	±5µm	Type A

Inch/Metric		Digital model	
Range	Order No.	Accuracy	Remarks
0 - 1"	331-351	±.0001"	Type A
	331-361	±.0001"	Type B
1" - 2"	331-352	±.0001"	Type A
	331-362	±.0001"	Type B
2" - 3"	331-353	±.0001"	Type A
	331-363	±.0001"	Type B
3" - 4"	331-354	±.00015"	Type A
	331-364	±.00015"	Type B

Inch			
Range	Order No.	Accuracy	Remarks
0 - 1"	111-166*	±.00015"	Type A
1" - 2"	111-142	±.00015"	Type A
2" - 3"	111-143	±.00015"	Type A

\*.0001" reading is obtained with vernier.

## DIMENSION

**Models up to 75mm**

Range	L	a	b	c
0 - 25mm*	58.2	17.5	7.3	32
25 - 50mm*	83.2	17.5	10.1	47
50 - 75mm*	108.2	17.5	11.5	60
0 - 25mm	55.3	17.8	10	38
25 - 50mm	80.3	17.8	12	49
50 - 75mm	105.3	17.8	14	60

\*Digital models

**Models over 75mm**

Range	L	a	b	c
75 - 100mm*	132.8	17.5	16.7	76.5
75 - 100mm	132.8	20.3	17	79
100 - 125mm	158.2	20.7	19	94
125 - 150mm	183.6	21.1	20	106
150 - 175mm	208.8	21.3	19	118
175 - 200mm	234.2	21.7	18	130

\*Digital models



# BEARING & TOOL CENTRE



## Head Office

1<sup>st</sup> Floor, Vyapar Bhavan, Kadia Kui,  
Relief Road, Ahmedabad - 380001.  
Ph:- 079 - 22160386, 65254835, 22134835  
Mobile : 7819819941, 9375706649

## Ahmedabad Branch

GF-B-14, Jayraj Complex, Nr. Soni ni Chawl,  
Odhav, Ahmedabad - 382415.  
Ph:- 079 - 22890202, 65458950, 65404657, 65400202  
Mobile : 7878825197, 7819819938, 9375706648

Website : [www.bearingtoolcentre.com](http://www.bearingtoolcentre.com), [www.bearingtoolscentre.com](http://www.bearingtoolscentre.com) | Email : [info@bearingtoolcentre.com](mailto:info@bearingtoolcentre.com)

## Our Sister Concern : RELIEF SERVICE CENTRE

Repairs, Removal of Jaw Error, Bore Gauge Extension, Instrument Modifications & Spares

### Quotation

#### 17 | Spline Micrometer – Insize Make | Least count 0. 01 mm

Range	C	W	D%	0 – 25	0 – 25	25 – 50	50 – 75	75 – 100	100 – 125	125-150	150-175
Type				A	B	B	B	B	B	B	B
Rs.	N	6		4220	4366	4755	5159	5938	7388	8773	10849
Code ( 3233 )				25A	25BA	50BA	75BA	100BA	125BA	150BA	175BA
Calibration Rs.				250	250	250	250	275	275	275	275
Catalog				Page –3	Page – 3	Page – 3	Page – 3	Page – 3	Page – 3	Page – 3	Page – 3

#### 17 – 1 | Digimatic Spline Micrometer - Insize Make | Least count 0. 001 mm

Range	C	W	D %	0 – 25	25 – 50	50 – 75	75 – 100	0 – 25	25 – 50	50 – 75	75 - 100
Type				A	A	A	A	B	B	B	B
Rs.	N	6		15306	16512	17796	18875	15306	16512	17796	18875
Code ( 3533 )				25A	50A	75A	100A	25BA	50BA	75BA	100BA
Calibration Rs.				250	250	250	250	250	250	250	250
Catalog				Page –3	Page – 3	Page – 3	Page – 3	Page – 3	Page – 3	Page – 3	Page – 3

#### 17 – 2 | Digimatic Spline Micrometer – Baker make @ With 15% Discount

#### Spline Type: 3 mm X L 8 mm Carbide measuring faces.

Range(mm)	0 – 25	25 – 50	50 - 75	75 – 100
Rs.	4810	6020	7080	7540
Code	MMA25-S3	MMS50-S3	MMA75-S3	MMS100-S3
Catalog	Page – 4	Page – 4	Page – 4	Page – 4

Range(Inch)	0 - 1	1 - 2	2 - 3	3 – 4
Rs.	4810	6020	7080	7540
Code	INA1-S3	INA2-S3	INA3-S3	INA4-S3
Catalog	Page – 4	Page – 4	Page – 4	Page – 4

#### 17- 3 | Spline Micrometer – Mitutoyo Make | Least count 0. 01 mm

Range	C	W	D%	0 – 25	0 – 25	25 – 50	50 – 75	75 – 100	100–125	125–150	150–175
Type				A	B	A	A	A	A	A	A
Rs.	N	12	5	6547	6547	7475	8150	9177	10672	11321	11321
Code				111–115	111–215	111-116	111–117	111-118	111-119	111-120	111-121
Calbrat Rs.				250	250	250	250	250	275	275	275
Catalog				Page – 5	Page – 5	Page – 5	Page – 5	Page – 5	Page – 5	Page – 5	Page – 5

Range	C	W	D%	0 - 25	0 - 25	25 - 50	25 - 50	50 - 75	50 - 75	75 - 100	75 - 100
Type				A	B	A	B	A	B	A	B
Rs.	N	12	5	22875	22875	25712	25712	27207	27207	29152	27360
Code				331-251	331-261	331-252	331-262	331-253	331-263	331-254	331-264
Calibrat Rs.				250	250	250	250	250	250	250	250
Catalog				Page -5	Page - 5	Page - 5	Page - 5	Page - 5	Page - 5	Page - 5	Page - 5

\*\*\* W - Warranty , C - Certificate , D- Discount

## Terms & Conditions -

- Goods offered - Subject to Prior Sale
- Price Validity: "15 Days from Date of Quotation"
- C.S.T 2% extra against form C. Otherwise 5% without form C For Out of Gujarat Sales only.
- VAT 5% extra for Sales within Gujarat. Prices Ex-Godown Ahmedabad.
- Payment against Proforma Invoice, Packing, Forwarding & Freight extra.
- **Bank Detail** - Kotak Mahindra Bank Ltd.
- **Branch** - Shivranjini
- **Bank IFSC Code** - KKBK 0000 810
- **Bank Account No.** 08102 00000 2689
- Note - While making payment online do mention your Company's name.
- TIN NO 24070901229 , CST No. 24570901229
- We are looking forward to your valued orders.



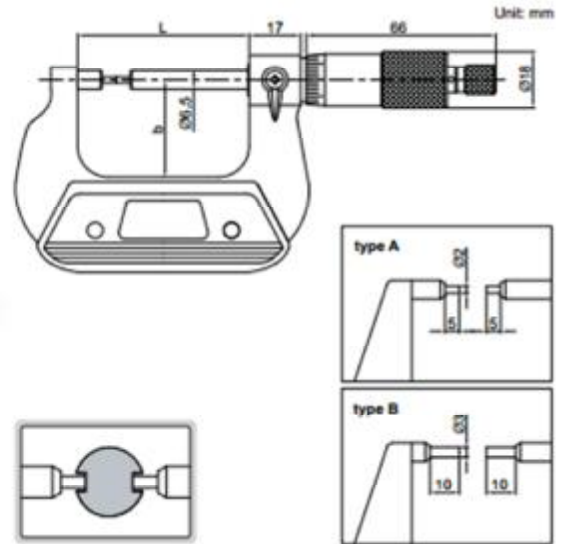
# INSIZE MAKE

## SPLINE MICROMETER



3233-25BA

Code	Range	Type	Accuracy	L	b
3233-25A	0-25mm	A	4μm	57	32
3233-25BA	0-25mm	B	4μm	57	32
3233-50BA	25-50mm	B	4μm	82	44.5
3233-75BA	50-75mm	B	5μm	107	57
3233-100BA	75-100mm	B	5μm	132.6	69.5
3233-125BA	100-125mm	B	6μm	158	82
3233-150BA	125-150mm	B	6μm	183.4	94.5
3233-175BA	150-175mm	B	7μm	208.8	107



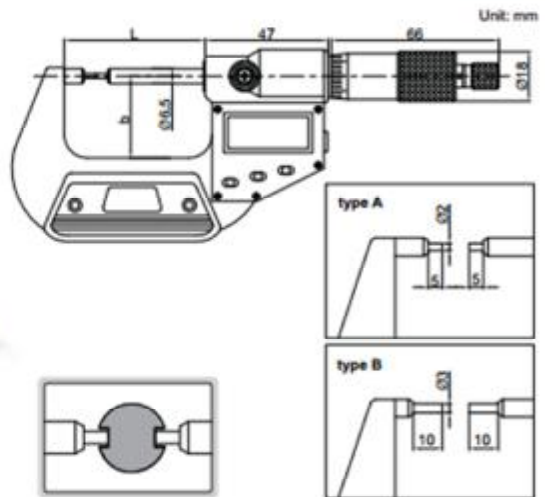
- Measure splined shafts, slots and keyways
- Graduation 0.01mm
- Ratchet stop
- Carbide measuring faces
- Supplied with setting standards(except 0-25mm)

## DIGITAL SPLINE MICROMETER



3533-25BA

Code	Range	Type	Accuracy	L	b
3533-25A	0-25mm/0-1"	A	±4μm	57	32
3533-50A	25-50mm/1-2"	A	±4μm	82	44.5
3533-75A	50-75mm/2-3"	A	±5μm	107	57
3533-100A	75-100mm/3-4"	A	±5μm	132.6	69.5
3533-25BA	0-25mm/0-1"	B	±4μm	57	32
3533-50BA	25-50mm/1-2"	B	±4μm	82	44.5
3533-75BA	50-75mm/2-3"	B	±5μm	107	57
3533-100BA	75-100mm/3-4"	B	±5μm	132.6	69.5



- Measure splined shafts, slots and keyways
- Resolution 0.001mm/0.00005"
- IP54 dust/waterproof
- Button function: on/off, set, mm/inch, ABS/INC, data output
- RS232 data output
- SR44 or LR44 battery, automatic power off
- Ratchet stop
- Carbide measuring faces
- Supplied with setting standards(except 0-25mm/0-1")
- Optional accessory: SPC cable (page A1-A2)

# BAKER MAKE

## SPECIAL MICROMETERS

**BAKER**  
A passion for precision

6) SPLINE TYPE : Ø3 mm X L 8 mm CARBIDE MEASURING FACES.

TYPE	RANGE	READING	₹
MMA25 - S3	0 - 25 mm	0.01 mm	4810
MMA50 - S3	25 - 50 mm	0.01 mm	6020
MMA75 - S3	50 - 75 mm	0.01 mm	7080
MMA100 - S3	75 - 100 mm	0.01 mm	7540

For measurement of recesses, grooves, splines, slots, keyways etc. Also suited for measuring small parts in precision work. Carbide tipped measuring faces.

Available with two combinations; Ø2 x Length 5 mm & Ø3 x Length 8 mm.



**Spline Micrometer :**

**Metric**

**Inch**

**Measuring face : Dia. 2 mm x Length 5 mm**

Type	Measuring Range	Reading
MMS-2-25	0-25 mm	0.01 mm
MMS-2-50	25-50 mm	
MMS-2-75	50-75 mm	
MMS-2-100	75-100 mm	

Type	Measuring Range	Reading
S-2-IN 1	0-1 inch	0.001 inch
S-2-IN 2	1-2 inch	
S-2-IN 3	2-3 inch	
S-2-IN 4	3-4 inch	

**Measuring face : Dia. 3 mm x Length 8 mm**

Type	Measuring Range	Reading
MMS-3-25	0-25 mm	0.01 mm
MMS-3-50	25-50 mm	
MMS-3-75	50-75 mm	
MMS-3-100	75-100 mm	

Type	Measuring Range	Reading
S-3-IN 1	0-1 inch	0.001 inch
S-3-IN 2	1-2 inch	
S-3-IN 3	2-3 inch	
S-3-IN 4	3-4 inch	

**MITUTOYO MAKE**

# Spline Micrometers

SERIES 331, 111

SPC



IP65

(Refer to the page 9 for details.)

## FEATURES

- IP65 water/dust protection (series 331).
- The anvil and spindle have a small diameter for measuring splined shafts, slots, and keyways.
- With Ratchet Stop for constant force.
- With SPC output (series 331).



## Technical Data

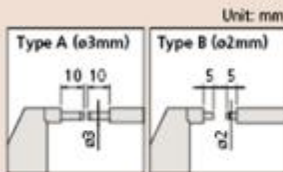
Accuracy: Refer to the list of specifications, (excluding quantizing error for digital models)  
 Resolution\*: 0.001mm or .00005"/0.001mm  
 Graduation\*\*: 0.01mm, .001" or .0001"  
 Flatness: 0.3µm  
 Parallelism: (2+R/100)µm, R = max. range (mm)  
 \*fraction rounded up  
 Measuring faces: Carbide tipped  
 Display\*: LCD  
 Battery\*: SR44 (1 pc), 938882  
 Battery life\*: Approx. 1.2 years under normal use  
 Dust/Water protection level\*: IP65  
 \*Digital models \*\*Analog models

## Function of Digital Model

Origin-set, Zero-setting, Data hold, Automatic power ON/OFF, Data output, inch/mm conversion (inch/mm models)  
 Alarm: Low voltage, Counting value composition error

## Optional Accessory for Digital Model

05CZA662: SPC cable with data switch (1m)  
 05CZA663: SPC cable with data switch (2m)



## SPECIFICATIONS

Metric		Digital model	
Range	Order No.	Accuracy	Remarks
0 - 25mm	331-251	±2µm	Type A
	331-261	±2µm	Type B
25 - 50mm	331-252	±2µm	Type A
	331-262	±2µm	Type B
50 - 75mm	331-253	±2µm	Type A
	331-263	±2µm	Type B
75 - 100mm	331-254	±3µm	Type A
	331-264	±3µm	Type B

Metric			
Range	Order No.	Accuracy	Remarks
0 - 25mm	111-115	±3µm	Type A
	111-215	±3µm	Type B
25 - 50mm	111-116	±3µm	Type A
	111-117	±3µm	Type A
50 - 75mm	111-117	±3µm	Type A
	111-118	±4µm	Type A
75 - 100mm	111-119	±4µm	Type A
	111-120	±4µm	Type A
100 - 125mm	111-121	±5µm	Type A
	111-122	±5µm	Type A

Inch/Metric		Digital model	
Range	Order No.	Accuracy	Remarks
0 - 1"	331-351	±.0001"	Type A
	331-361	±.0001"	Type B
1" - 2"	331-352	±.0001"	Type A
	331-362	±.0001"	Type B
2" - 3"	331-353	±.0001"	Type A
	331-363	±.0001"	Type B
3" - 4"	331-354	±.00015"	Type A
	331-364	±.00015"	Type B

Inch			
Range	Order No.	Accuracy	Remarks
0 - 1"	111-166*	±.00015"	Type A
1" - 2"	111-142	±.00015"	Type A
2" - 3"	111-143	±.00015"	Type A

\*.0001" reading is obtained with vernier.

## DIMENSION

**Models up to 75mm**

Range	L	a	b	c
0 - 25mm*	58.2	17.5	7.3	32
25 - 50mm*	83.2	17.5	10.1	47
50 - 75mm*	108.2	17.5	11.5	60
0 - 25mm	55.3	17.8	10	38
25 - 50mm	80.3	17.8	12	49
50 - 75mm	105.3	17.8	14	60

\*Digital models

**Models over 75mm**

Range	L	a	b	c
75 - 100mm*	132.8	17.5	16.7	76.5
75 - 100mm	132.8	20.3	17	79
100 - 125mm	158.2	20.7	19	94
125 - 150mm	183.6	21.1	20	106
150 - 175mm	208.8	21.3	19	118
175 - 200mm	234.2	21.7	18	130

\*Digital models