



# BEARING & TOOL CENTRE



## Head Office

1<sup>st</sup> Floor, Vyapar Bhavan, Kadia Kui,  
Relief Road, Ahmedabad - 380001.  
Ph:- 079 - 22160386, 65254835, 22134835  
Mobile : 7819819941, 9375706649

## Ahmedabad Branch

GF-B-14, Jayraj Complex, Nr. Soni ni Chawl,  
Odhav, Ahmedabad - 382415.  
Ph:- 079 - 22890202, 65458950, 65404657, 65400202  
Mobile : 7878825197, 7819819938, 9375706648

Website : [www.bearingtoolcentre.com](http://www.bearingtoolcentre.com), [www.bearingtoolscentre.com](http://www.bearingtoolscentre.com) | Email : [info@bearingtoolcentre.com](mailto:info@bearingtoolcentre.com)

## Our Sister Concern : RELIEF SERVICE CENTRE

Repairs, Removal of Jaw Error, Bore Gauge Extension, Instrument Modifications & Spares

## Quotation

### 134 | Three Way Tilting Vices – GROZ make

Code	Disc. %	TLT/SP/50	TLT/SP/75	TLT/SP/100	TLT/SP/125	TLT/SP/150
Rs.	22	-	-	25485	-	38706
Catalog		Page No.- 2	Page No.- 2	Page no.- 2	Page No.- 2	Page no.- 2

### 134 - 1 | Three Way Universal Machine Vices – ARETE make

Size – mm	Disc. %	100	150
Rs.	20	15795	26883
Code		1130	1130

### 134 - 2 | Three Way Universal Machine Vices – APEX make

Size – mm	Disc. %	100	150
Rs.	10	16284	27714
Code		730	730
Catalog		Page No.- 2	Page No.- 2

\*\*\* W – Warranty , C – Certificate , D- Discount

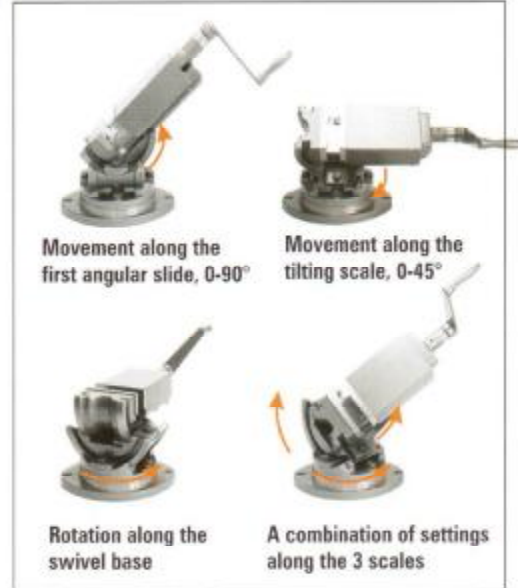
## Terms & Conditions –

- Goods offered - Subject to Prior Sale
- Price Validity: "15 Days from Date of Quotation"
- C.S.T 2% extra against form C. Otherwise 5% without form C For Out of Gujarat Sales only.
- VAT 5% extra for Sales within Gujarat. Prices Ex-Godown Ahmedabad.
- Payment against Proforma Invoice, Packing, Forwarding & Freight extra.
- **Bank Detail** – Kotak Mahindra Bank Ltd.
- **Branch** – Shivranjini
- **Bank IFSC Code** - KKBK 0000 810
- **Bank Account No.** 08102 00000 2689
- Note - While making payment online do mention your Company's name.
- TIN NO 24070901229 , CST No. 24570901229
- We are looking forward to your valued orders.

# GROZ MAKE

## 37 / 3 WAY TILTING VICES - SUPER PRECISION

- Provides 3 axial setting of jobs
- For milling, drilling, jig boring, shaping & grinding applications
- 2 angular slides -45° either side- and 90° vertical indexing
- Fitted with 360° swivel base with 1° increments



### Ordering Information

Art. Nr.	Jaw Width (mm)	Jaw Opening (mm)	Jaw Depth (mm)	Box Qty	Unit Price (₹)
TLT/SP/50	50	50	25	1	6,600.00
TLT/SP/75	75	75	34	1	12,500.00
TLT/SP/100	100	100	38	1	16,000.00
TLT/SP/125	125	125	45	1	19,500.00
TLT/SP/150	150	150	45	1	24,300.00

# APEX MAKE



Three Way Universal Machine Vices –APEX