

TYRE DEPTH GAUGE

67 – 5	Tyre Tread Depth Gauge	Tyre Tread Depth Gauge	Digi Tyre Depth Gauge
Range - mm	50	100 mm	
Least count	0 .1	0.1	
Model	TDG -S	TDG - 100	3459
Rs.	240	490	2900
Discount	30%	30%	30%

MODEL TDG-S

TYRE DEPTH GAUGE

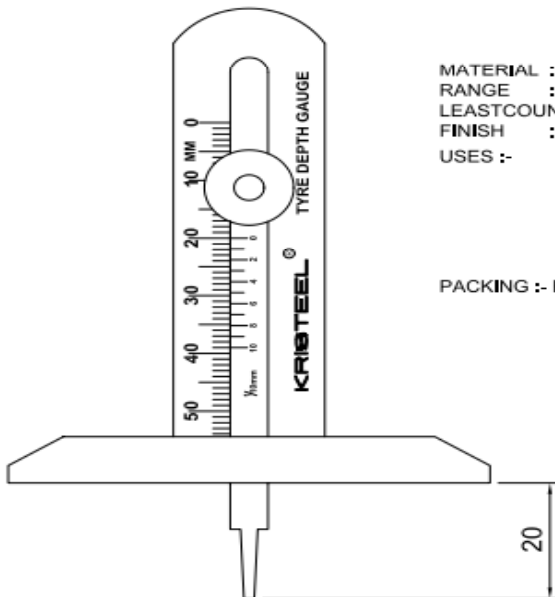


This new model is made of hardened and tempered stainless steel material in polish finish. It measures thread depth of tyres. The plastic sliding knob holds the vernier scale at any point. It is enough tight to avoid self sliding. Each gauge is packed in PVC pouch.

Range upto 54 mm.
Least Count: 0.1 mm.

TYRE DEPTH GAUGE

KRISTEEL® - Shinwa



MATERIAL :- Stainless Steel
 RANGE :- Upto 54 mm.
 LEASTCOUNT :- 0.1 mm.
 FINISH :- POLISHED
 USES :- TO CHECK TYRES TREAD DEPTH .
 CAN BE USED SIMILAR AREAS AS A DEPTH GAUGE
 GAUGE HAVE BOTH SIDE GRADUATIONS .
 PLASTIC SLIDING KNOB HOLD THE VERNIER SCALE AT ANY POINT
 ENOUGH TIGHT TO AVOID SELF SLIDING.
 PACKING :- EACH GAUGE IS PACKED IN PVC POUCH



BORE GAUGE

67-6	Bore Gauges	Disc %	1-15	15-30	30-45	4 Leaf
	Model		1511 A	1511 B	1511 C	1511 D
	Rs.	30%	155	185	245	880

BORE GAUGE (MODEL - 1511 A / B / C)



BORE GAUGE

For the measuring of cylindrical bores.

Reading : 0.1 mm

Flat and not hardened

MODEL	LENGTH
1511 A	1-15 mm
1511 B	15-30 mm
1511 C	30-45 mm