



# BEARING & TOOL CENTRE



## Head Office

1<sup>st</sup> Floor, Vyapar Bhavan, Kadia Kui,  
Relief Road, Ahmedabad - 380001.  
Ph:- 079 - 22160386, 65254835, 22134835  
Mobile : 7819819941, 9375706649

## Ahmedabad Branch

GF-B-14, Jayraj Complex, Nr. Soni ni Chawl,  
Odhav, Ahmedabad - 382415.  
Ph:- 079 - 22890202, 65458950, 65404657, 65400202  
Mobile : 7878825197, 7819819938, 9375706648

Website : [www.bearingtoolcentre.com](http://www.bearingtoolcentre.com), [www.bearingtoolscentre.com](http://www.bearingtoolscentre.com) | Email : [info@bearingtoolcentre.com](mailto:info@bearingtoolcentre.com)

## Our Sister Concern : RELIEF SERVICE CENTRE

Repairs, Removal of Jaw Error, Bore Gauge Extension, Instrument Modifications & Spares

### Quotation

#### 4 Adjustable Outside Micrometer ( Interchangeable ) 0.01 mm

| Range-mm        | W  | C | D % | 0 - 50   | 0-100     | 0-150     | 50 -150   | 150-300   | 100-200   | 200 - 300 |
|-----------------|----|---|-----|----------|-----------|-----------|-----------|-----------|-----------|-----------|
| Insize Rs.      | 6  | N |     | 4548     | 8825      | 10938     | 9728      | 13996     | 12466     | 13609     |
| Code            |    |   |     | 3206-50A | 3206-100A | 3206-150A | 3206-151A | 3206-300A | 3206-200A | 3206-301A |
| Catalog         |    |   |     | Page-2   | Page - 2  | Page - 2  | Page - 2  | Page - 2  | Page - 2  | Page - 2  |
| Insize Digi.Rs. | 6  | N |     |          | 18493     | 20580     |           | 23807     |           | 22728     |
| Code 0.001mm    |    |   |     |          | 3506-100A | 3506-150A |           | 3506-300A |           | 3506-301A |
| Catalog         |    |   |     | Page-2   | Page - 2  | Page - 2  | Page - 2  | Page - 2  | Page - 2  | Page - 2  |
| Aerospace Rs.   |    | N | 10  | 1570     | 2250      | 3630      | 2830      | 4880      | 3500      |           |
| M & W Rs.       | 6  | N | 5   | 3300     | 5500      | 7000      | 6900      | 8800      | 8200      | 8200      |
| Code            |    |   |     | OMA 50   | OMA 100   | OMA150    | OMA5150   | OMA300    | OMA200    | OMA2300   |
| Baker Rs.       | 12 | Y | 15  | -        | 7990      | 14580     | -         | -         | -         |           |
| Catalog         |    |   |     | Page- 3  | Page- 3   | Page- 3   | Page- 3   | Page- 3   | Page- 3   | Page- 3   |
| Code            |    |   |     |          | 4 MMC 100 | 6 MMC 150 |           |           |           |           |
| Mitutoyo Rs.    | 12 | N | 5   | 6755     | 12257     | 14085     | 13383     | 20777     | 14500     | 17940     |
| Code            |    |   |     | 104-171  | 104-139   | 104-135   | 104-161   | 104-136   | 104-140   | 104-141   |
| Catalog         |    |   |     | Page- 4  | Page- 4   | Page- 4   | Page- 4   | Page- 4   | Page- 4   | Page- 4   |
| NABL Trace Rs.  |    |   |     | 450      | 900       | 1450      | 1000      | 1750      | 1100      | 1400      |

**Note:- Aerospace item once sold will not be taken back even if it is Faulty.**

\*\*\* W – Warranty , C – Certificate , D- Discount

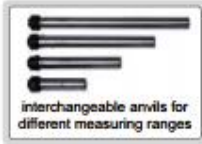
### Terms & Conditions –

- Goods offered - Subject to Prior Sale
- Price Validity: "15 Days from Date of Quotation"
- C.S.T 2% extra against form C. Otherwise 5% without form C For Out of Gujarat Sales only.
- VAT 5% extra for Sales within Gujarat. Prices Ex-Godown Ahmedabad.
- Payment against Proforma Invoice, Packing, Forwarding & Freight extra.
- **Bank Detail** – Kotak Mahindra Bank Ltd.
- **Branch** – Shivranjini
- **Bank IFSC Code** - KKBK 0000 810
- **Bank Account No.** 08102 00000 2689
- Note - While making payment online do mention your Company's name.
- TIN NO 24070901229 , CST No. 24570901229
- We are looking forward to your valued orders.

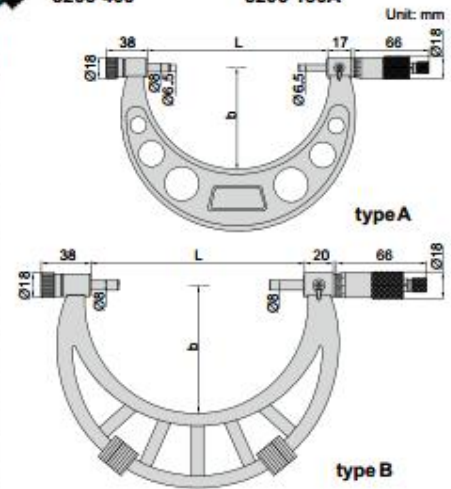
# INSIZE MAKE

## OUTSIDE MICROMETER WITH INTERCHANGEABLE ANVILS

- Graduation 0.01mm
- Ratchet stop
- Carbide measuring faces
- Supplied with setting standards



| Code      | Range      | Type | Accuracy | L    | b   | Setting standard (included)  |
|-----------|------------|------|----------|------|-----|------------------------------|
| 3206-50A  | 0-50mm     | A    | 4μm      | 58   | 35  | 25                           |
| 3206-100A | 0-100mm    | A    | 5μm      | 108  | 57  | 25, 50, 75                   |
| 3206-150A | 0-150mm    | A    | 6μm      | 158  | 82  | 25, 50, 75, 100, 125         |
| 3206-151A | 50-150mm   | A    | 6μm      | 158  | 82  | 50, 75, 100, 125             |
| 3206-200A | 100-200mm  | A    | 7μm      | 208  | 114 | 100, 125, 150, 175           |
| 3206-300A | 150-300mm  | A    | 9μm      | 308  | 165 | 150, 175, 200, 225, 250, 275 |
| 3206-301A | 200-300mm  | A    | 9μm      | 308  | 165 | 200, 225, 250, 275           |
| 3206-400  | 300-400mm  | B    | 11μm     | 409  | 224 | 325, 375                     |
| 3206-500  | 400-500mm  | B    | 13μm     | 509  | 275 | 425, 475                     |
| 3206-600  | 500-600mm  | B    | 14μm     | 609  | 321 | 525, 575                     |
| 3206-700  | 600-700mm  | B    | 16μm     | 709  | 371 | 625, 675                     |
| 3206-800  | 700-800mm  | B    | 18μm     | 809  | 426 | 725, 775                     |
| 3206-900  | 800-900mm  | B    | 20μm     | 909  | 476 | 825, 875                     |
| 3206-1000 | 900-1000mm | B    | 22μm     | 1009 | 576 | 925, 975                     |

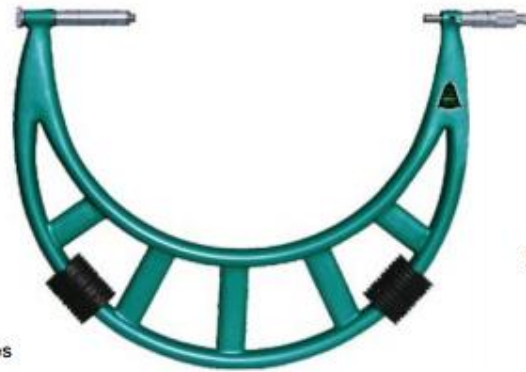


# OUTSIDE MICROMETER WITH EXTENSION ANVIL COLLAR

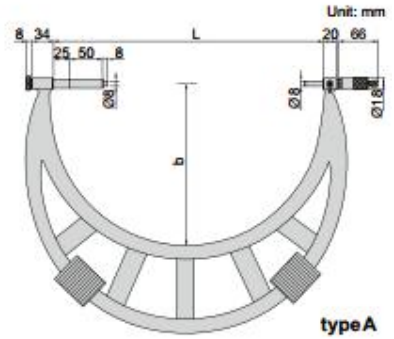
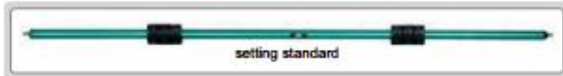


adjust collars for different measuring ranges

- Graduation 0.01mm
- Adjust collars for different measuring ranges
- Ratchet stop
- Carbide measuring faces
- Supplied with setting standards



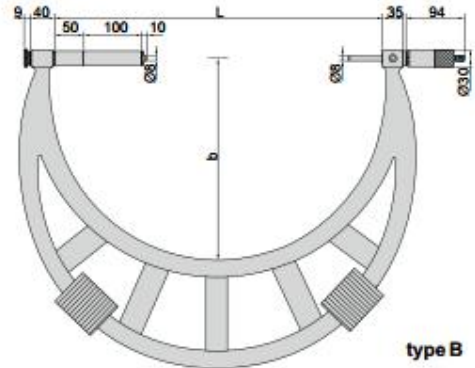
3205-400



type A

(mm)

| Code      | Range       | Type | Accuracy | L    | b    | Setting standard (included) |
|-----------|-------------|------|----------|------|------|-----------------------------|
| 3205-400  | 300-400mm   | A    | 11µm     | 410  | 250  | 325, 375                    |
| 3205-500  | 400-500mm   | A    | 13µm     | 510  | 295  | 425, 475                    |
| 3205-600  | 500-600mm   | A    | 14µm     | 610  | 345  | 525, 575                    |
| 3205-700  | 600-700mm   | A    | 16µm     | 710  | 395  | 625, 675                    |
| 3205-800  | 700-800mm   | A    | 18µm     | 810  | 445  | 725, 775,                   |
| 3205-900  | 800-900mm   | A    | 20µm     | 910  | 495  | 825, 875                    |
| 3205-1000 | 900-1000mm  | A    | 22µm     | 1010 | 545  | 925, 975                    |
| 3205-1200 | 1000-1200mm | B    | 22µm     | 1210 | 645  | 1050, 1150                  |
| 3205-1400 | 1200-1400mm | B    | 24µm     | 1410 | 745  | 1250, 1350                  |
| 3205-1600 | 1400-1600mm | B    | 28µm     | 1610 | 845  | 1450, 1550                  |
| 3205-1800 | 1600-1800mm | B    | 31µm     | 1810 | 945  | 1650, 1750                  |
| 3205-2000 | 1800-2000mm | B    | 34µm     | 2010 | 1045 | 1850, 1950                  |



type B

# BAKER MAKE

## EXTERNAL MICROMETERS



### 1) SET OF MECHANICAL MICROMETERS



#### 1) A SET OF FOUR METRIC MICROMETERS IN ONE WOODEN BOX

| TYPE      | RANGE      | READING  | ₹    |
|-----------|------------|----------|------|
| 4MMC100   | 0 - 100 mm | 0.01 mm  | 7990 |
| 4MMC100-1 | 0 - 100 mm | 0.001 mm | 9280 |

#### 2) A SET OF FOUR INCH MICROMETERS IN ONE WOODEN BOX

| TYPE    | RANGE  | READING | ₹    |
|---------|--------|---------|------|
| 4INC4   | 0 - 4" | 0.001"  | 7790 |
| 4INC4-1 | 0 - 4" | 0.0001" | 9280 |

#### 3) A SET OF SIX METRIC MICROMETERS IN ONE WOODEN BOX

| TYPE      | RANGE      | READING  | ₹     |
|-----------|------------|----------|-------|
| 6MMC150   | 0 - 150 mm | 0.01 mm  | 14580 |
| 6MMC150-1 | 0 - 150 mm | 0.001 mm | 17260 |

# MITUTOYO MAKE

## Outside Micrometers

SERIES 340, 104 — with Interchangeable Anvils

### FEATURES

- IP65 water/dust protection (340 series\*).  
\*Models with a range up to 300mm.
- Wide measuring range with interchangeable anvils.
- With a Ratchet Stop for constant force.
- Supplied with zero-setting standards for each range.
- With SPC output (series 340).



(Refer to the page 9 for details.)

### Technical Data

Accuracy:  $\pm(4+R/75)\mu\text{m}$ , R = max. range (mm)  
(excluding quantizing error for digital models)  
\*fraction rounded up

Resolution\*: 0.001mm or .0001"/0.001mm  
(.00005"/0.001mm: 340-351)

Graduation\*\*: 0.01 mm

Flatness: 0.6 $\mu\text{m}$  for models up to 300mm  
1 $\mu\text{m}$  for models over 300mm

Parallelism: 2 $\mu\text{m}$  for models up to 75mm  
3 $\mu\text{m}$  for models up to 150mm  
(2+R/100) $\mu\text{m}$  for models over 150mm,  
R = max. range (mm) \*fraction rounded up

Measuring faces: Carbide tipped

Display\*: LCD

Battery\*: SR44 (2 pc.), 938882  
(1 pc.: 340-251, 252, 340-351, 352)

Battery life\*: Approx. 1.8 years under normal use  
(8 months for 340-251, 252, 340-351, 352)

### Digital model



### SPECIFICATIONS

| Metric      | Digital model |                           |
|-------------|---------------|---------------------------|
| Range       | Order No.     | Interchangeable anvils    |
| 0 - 150mm   | 340-251       | 0, 25, 50, 75, 100, 125mm |
| 150 - 300mm | 340-252       | 0, 25, 50, 75, 100, 125mm |

| Inch/Metric | Digital model |                        |
|-------------|---------------|------------------------|
| Range       | Order No.     | Interchangeable anvils |
| 0 - 6"      | 340-351       | 0, 1", 2", 3", 4", 5"  |
| 6" - 12"    | 340-352       | 0, 1", 2", 3", 4", 5"  |

