



BEARING & TOOL CENTRE



Head Office

1st Floor, Vyapar Bhavan, Kadia Kui,
Relief Road, Ahmedabad - 380001.
Ph:- 079 - 22160386, 65254835, 22134835
Mobile : 7819819941, 9375706649

Ahmedabad Branch

GF-B-14, Jayraj Complex, Nr. Soni ni Chawl,
Odhav, Ahmedabad - 382415.
Ph:- 079 - 22890202, 65458950, 65404657, 65400202
Mobile : 7878825197, 7819819938, 9375706648

Website : www.bearingtoolcentre.com, www.bearingtoolscentre.com | Email : info@bearingtoolcentre.com

Our Sister Concern : RELIEF SERVICE CENTRE

Repairs, Removal of Jaw Error, Bore Gauge Extension, Instrument Modifications & Spares

Quotation

5 – 1 Adjustable Outside Micrometer (Interchangeable) 0. 01 mm
SS

Range-mm	W	C	D %	1000-1200	1200-1400	1400-1600	1600-1800	1800-2000
Insized Rs. 1+2	6	N		86745	92626	103415	110055	116390
Code				3205-1200	3205-1400	3205-1600	3205-1800	3205-2000
Catalog				Page No - 2	Page No - 2	Page No - 2	Page No - 2	Page No - 2
M & W Rs.	6	N		46000	58000	70000	-	-
Code				OMA 1200	OMA 1400	OMA 1600		
Catalog				Page No - 2	Page No - 2	Page No - 2		
Mitutoyo Rs.4 + 4	12	N	5	174915	215279	255644	294514	337869
Code				105-418	105-419	105-420	105-421	105-422
Catalog				Page No - 3	Page No - 3	Page No - 3	Page No - 3	Page No - 3
NABL Traceable Rs.				2000	2100	2200	2300	2400
NABL Accrediat Rs.								

*** W – Warranty , C – Certificate , D- Discount

1 + 2 denotes - 1 anvil and 2 setting rods. – Adjustable Anvil

4 + 2 denotes – 4 anvil and 2 setting rods – Interchangeable Anvil

Terms & Conditions –

- Goods offered - Subject to Prior Sale
- Price Validity: "15 Days from Date of Quotation"
- C.S.T 2% extra against form C. Otherwise 5% without form C For Out of Gujarat Sales only.
- VAT 5% extra for Sales within Gujarat. Prices Ex-Godown Ahmedabad.
- Payment against Proforma Invoice, Packing, Forwarding & Freight extra.
- **Bank Detail** – Kotak Mahindra Bank Ltd.
- **Branch** – Shivranjini
- **Bank IFSC Code** - KKBK 0000 810
- **Bank Account No.** 08102 00000 2689
- Note - While making payment online do mention your Company's name.
- TIN NO 24070901229 , CST No. 24570901229
- We are looking forward to your valued orders.

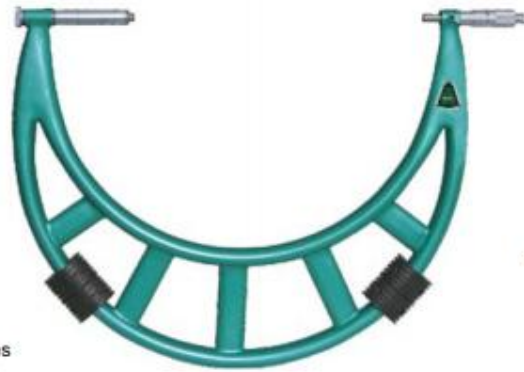
INSIZE MAKE

OUTSIDE MICROMETER WITH EXTENSION ANVIL COLLAR

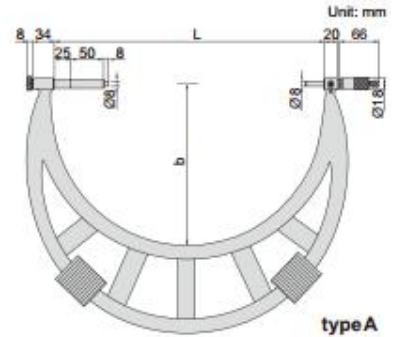
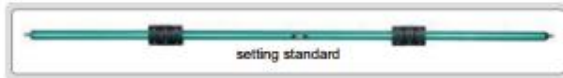


adjust collars for different measuring ranges

- Graduation 0.01mm
- Adjust collars for different measuring ranges
- Ratchet stop
- Carbide measuring faces
- Supplied with setting standards



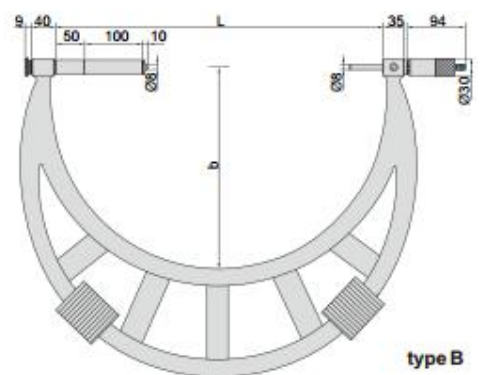
3205-400



type A

(mm)

Code	Range	Type	Accuracy	L	b	Setting standard (included)
3205-400	300-400mm	A	11µm	410	250	325, 375
3205-500	400-500mm	A	13µm	510	295	425, 475
3205-600	500-600mm	A	14µm	610	345	525, 575
3205-700	600-700mm	A	16µm	710	395	625, 675
3205-800	700-800mm	A	18µm	810	445	725, 775,
3205-900	800-900mm	A	20µm	910	495	825, 875
3205-1000	900-1000mm	A	22µm	1010	545	925, 975
3205-1200	1000-1200mm	B	22µm	1210	645	1050, 1150
3205-1400	1200-1400mm	B	24µm	1410	745	1250, 1350
3205-1600	1400-1600mm	B	28µm	1610	845	1450, 1550
3205-1800	1600-1800mm	B	31µm	1810	945	1650, 1750
3205-2000	1800-2000mm	B	34µm	2010	1045	1850, 1950



type B

M&W MAKE



CODE	RANGE	PRICE
OMA 1200	1000-1200 mm	46,000/-
OMA 1400	1200-1400 mm	58,000/-
OMA 1600	1400-1600 mm	70,000/-

MITUTOYO MAKE

Outside Micrometers

SERIES 340, 104 — with Interchangeable Anvils



(Refer to the page 9 for details.)

Technical Data

Accuracy: $\pm(4+R/75)\mu\text{m}$, R = max. range (mm)
(excluding quantizing error for digital models)
*fraction rounded up

Resolution*: 0.001mm or .0001"/0.001mm
(.00005"/0.001mm: 340-351)

Graduation**: 0.01mm

Flatness: 0.6 μm for models up to 300mm
1 μm for models over 300mm

Parallelism: 2 μm for models up to 75mm
3 μm for models up to 150mm
(2+R/100) μm for models over 150mm,
R = max. range (mm) *fraction rounded up

Measuring faces: Carbide tipped

Display*: LCD

Battery*: SR44 (2 pc.), 938882
(1 pc.: 340-251, 252, 340-351, 352)

Battery life*: Approx. 1.8 years under normal use
(8 months for 340-251, 252, 340-351, 352)

Dust/Water protection level*: IP65
*Digital models **Analog models

Function of Digital Model

Zero-setting, Data hold, Preset, Power ON/OFF*, Data output, inch/mm conversion (inch/mm models)

*Not available for 340-251, 252, 340-351, 352

Alarm: Low voltage, Counting value composition error

Optional Accessory for Digital Model

05CZA662: SPC cable with data switch (1m)
05CZA663: SPC cable with data switch (2m)



FEATURES

- IP65 water/dust protection (340 series*).
*Models with a range up to 300mm.
- Wide measuring range with interchangeable anvils.
- With a Ratchet Stop for constant force.
- Supplied with zero-setting standards for each range.
- With SPC output (series 340).

Digital model



SPECIFICATIONS

Metric	Digital model	
Range	Order No.	Interchangeable anvils
0 - 150mm	340-251	0, 25, 50, 75, 100, 125mm
150 - 300mm	340-252	0, 25, 50, 75, 100, 125mm
300 - 400mm	340-513	0, 25, 50, 75mm
400 - 500mm	340-514	0, 25, 50, 75mm
500 - 600mm	340-515	0, 25, 50, 75mm
600 - 700mm	340-516	0, 25, 50, 75mm
700 - 800mm	340-517	0, 25, 50, 75mm
800 - 900mm	340-518	0, 25, 50, 75mm
900 - 1000mm	340-519	0, 25, 50, 75mm

Inch/Metric	Digital model	
Range	Order No.	Interchangeable anvils
0 - 6"	340-351	0, 1", 2", 3", 4", 5"
6" - 12"	340-352	0, 1", 2", 3", 4", 5"
12" - 18"	340-713	0, 1", 2", 3", 4", 5"
18" - 24"	340-714	0, 1", 2", 3", 4", 5"
24" - 30"	340-715	0, 1", 2", 3", 4", 5"
30" - 36"	340-716	0, 1", 2", 3", 4", 5"

Metric	Analog model	
Range	Order No.	Interchangeable anvils
0 - 50mm	104-171*	0, 25mm
0 - 100mm	104-139A	0, 25, 50, 75mm
0 - 150mm	104-135A	0, 25, 50, 75, 100, 125mm
50 - 150mm	104-161A	0, 25, 50, 75mm
100 - 200mm	104-140A	0, 25, 50, 75mm
150 - 300mm	104-136A	0, 25, 50, 75, 100, 125mm
200 - 300mm	104-141A	0, 25, 50, 75mm
300 - 400mm	104-142A	0, 25, 50, 75mm
400 - 500mm	104-143A	0, 25, 50, 75mm
500 - 600mm	104-144A	0, 25, 50, 75mm
600 - 700mm	104-145A	0, 25, 50, 75mm
700 - 800mm	104-146A	0, 25, 50, 75mm
800 - 900mm	104-147A	0, 25, 50, 75mm
900 - 1000mm	104-148A	0, 25, 50, 75mm

Inch	Analog model	
Range	Order No.	Interchangeable anvils
0 - 2"	104-165*	0, 1"
0 - 4"	104-149	0, 1", 2", 3"
0 - 6"	104-137	0, 1", 2", 3", 4", 5"
2 - 6"	104-162	0, 1", 2", 3"
4 - 8"	104-150	0, 1", 2", 3"
8 - 12"	104-151	0, 1", 2", 3"
6" - 12"	104-138	0, 1", 2", 3", 4", 5"
12" - 18"	104-201	0, 1", 2", 3", 4", 5"
18" - 24"	104-202	0, 1", 2", 3", 4", 5"
24" - 30"	104-203	0, 1", 2", 3", 4", 5"
30" - 36"	104-204	0, 1", 2", 3", 4", 5"
36" - 42"	104-205	0, 1", 2", 3", 4", 5"

*.0001" reading is obtained with vernier.

*The frame in a heat insulating cover

DIMENSION

