



BEARING & TOOL CENTRE



Head Office

1st Floor, Vyapar Bhavan, Kadia Kui,
Relief Road, Ahmedabad - 380001.
Ph:- 079 - 22160386, 65254835, 22134835
Mobile : 7819819941, 9375706649

Ahmedabad Branch

GF-B-14, Jayraj Complex, Nr. Soni ni Chawl,
Odhav, Ahmedabad - 382415.
Ph:- 079 - 22890202, 65458950, 65404657, 65400202
Mobile : 7878825197, 7819819938, 9375706648

Website : www.bearingtoolcentre.com, www.bearingtoolscentre.com | Email : info@bearingtoolcentre.com

Our Sister Concern : RELIEF SERVICE CENTRE

Repairs, Removal of Jaw Error, Bore Gauge Extension, Instrument Modifications & Spares

Quotation

5 Adjustable Outside Micrometer (Interchangeable) 0.01 mm

Range-mm	W	C	D %	300- 400	400-500	500 -600	600-700	700-800	800-900	900-1000
Insize Rs. 1+2	6	N		21689	24473	28052	32333	37757	42800	48919
Code				3206-400	3206-500	3206-600	3206-700	3206-800	3206-900	3206-1000
Catalog				Page - 2	Page - 2	Page - 2	Page - 2	Page - 2	Page - 2	Page - 2
Insize Rs. 1+2	6	N		17143	19379	22815	27396	32268	37540	41937
Code				3205-400	3205-500	3205-600	3205-700	3205-800	3205-900	3205-1000
Catalog				Page - 2	Page - 2	Page - 2	Page - 2	Page - 2	Page - 2	Page - 2
Insize Digi. Rs. 1+2	6	N		28677	31147	35871	37477	42660	48572	53317
Code 0.001mm				3506-400A	3506-500A	3506-600A	3506-700A	3506-800A	3506-900A	3506-1000A
Catalog				Page - 3	Page - 3	Page - 3	Page - 3	Page - 3	Page - 3	Page - 3
M & W Rs.1 + 2	6	N		10000	11500	12500	16000	18000	22000	24500
Code				OMA 400	OMA 500	OMA600	OMA 700	OMA 800	OMA900	OMA1000
M & W Rs . 4+2	6	N		13000	14000	15500	19000	22000	25000	28500
				OMI400	OMI500	OMI600	OMI 700	OMI 800	OMI900	OMI1000
Catalog				Page - 5	Page - 5	Page - 5	Page - 5	Page - 5	Page - 5	Page - 5
Baker Rs.	12	Y	15	22200	24770	32060	35630	42280	47950	56750
Code				MM 400	MM 500	MM 600	MM 700	MM 800	MM 900	MM 1000
Catalog				Page - 6	Page - 6	Page - 6	Page - 6	Page - 6	Page - 6	Page - 6
Mitutoyo Rs. 4+4	12	N	5	22425	24821	31548	34835	41265	32079	56657
Code				104-142	104-143	104-144	104-145	104-146	104-147	104-148
Catalog				Page - 7	Page - 7	Page - 7	Page - 7	Page - 7	Page - 7	Page - 7
NABL Trace Rs				600	600	600	1100	1100	1550	1550
NABL Accre Rs.				800	800	800	1450	1450	2050	2050

Note:- Aerospace item once sold will not be taken back even if it is Faulty.

*** W – Warranty , C – Certificate , D- Discount, NABL (Calibration)

1 + 2 denotes - 1 anvil and 2 setting rods. – Adjustable Anvil

4 + 2 denotes – 4 anvil and 2 setting rods – Interchangeable Anvil

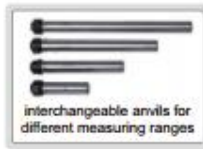
Terms & Conditions –

- Goods offered - Subject to Prior Sale
- Price Validity: "15 Days from Date of Quotation"
- C.S.T 2% extra against form C. Otherwise 5% without form C For Out of Gujarat Sales only.
- VAT 5% extra for Sales within Gujarat. Prices Ex-Godown Ahmedabad.
- Payment against Proforma Invoice, Packing, Forwarding & Freight extra.
- **Bank Detail** – Kotak Mahindra Bank Ltd.
- **Branch** – Shivranjini
- **Bank IFSC Code** - KKBK 0000 810
- **Bank Account No.** 08102 00000 2689
- Note - While making payment online do mention your Company's name.
- TIN NO 24070901229 , CST No. 24570901229
- We are looking forward to your valued orders.

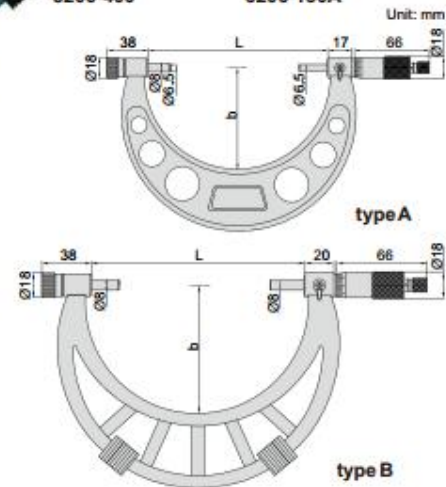
INSIZE MAKE

OUTSIDE MICROMETER WITH INTERCHANGEABLE ANVILS

- Graduation 0.01mm
- Ratchet stop
- Carbide measuring faces
- Supplied with setting standards



Code	Range	Type	Accuracy	L	b	Setting standard (included)
3206-50A	0-50mm	A	4μm	58	35	25
3206-100A	0-100mm	A	5μm	108	57	25, 50, 75
3206-150A	0-150mm	A	6μm	158	82	25, 50, 75, 100, 125
3206-151A	50-150mm	A	6μm	158	82	50, 75, 100, 125
3206-200A	100-200mm	A	7μm	208	114	100, 125, 150, 175
3206-300A	150-300mm	A	9μm	308	165	150, 175, 200, 225, 250, 275
3206-301A	200-300mm	A	9μm	308	165	200, 225, 250, 275
3206-400	300-400mm	B	11μm	409	224	325, 375
3206-500	400-500mm	B	13μm	509	275	425, 475
3206-600	500-600mm	B	14μm	609	321	525, 575
3206-700	600-700mm	B	16μm	709	371	625, 675
3206-800	700-800mm	B	18μm	809	426	725, 775
3206-900	800-900mm	B	20μm	909	476	825, 875
3206-1000	900-1000mm	B	22μm	1009	576	925, 975

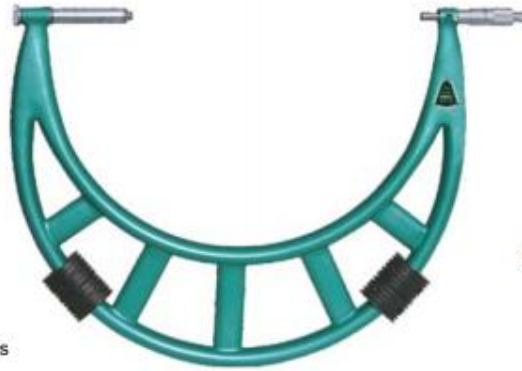


OUTSIDE MICROMETER WITH EXTENSION ANVIL COLLAR

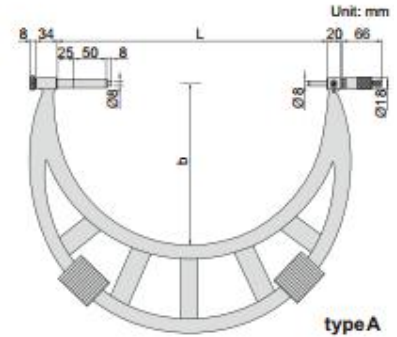
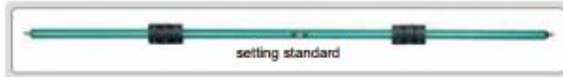


adjust collars for different measuring ranges

- Graduation 0.01mm
- Adjust collars for different measuring ranges
- Ratchet stop
- Carbide measuring faces
- Supplied with setting standards



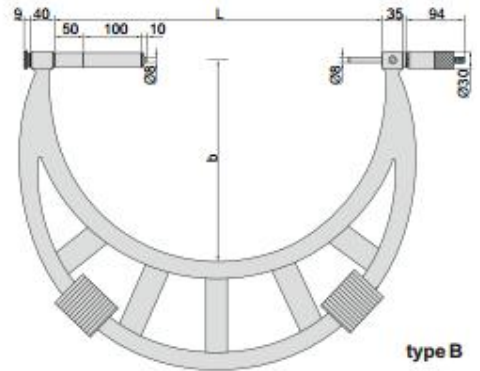
3205-400



type A

(mm)

Code	Range	Type	Accuracy	L	b	Setting standard (included)
3205-400	300-400mm	A	11μm	410	250	325, 375
3205-500	400-500mm	A	13μm	510	295	425, 475
3205-600	500-600mm	A	14μm	610	345	525, 575
3205-700	600-700mm	A	16μm	710	395	625, 675
3205-800	700-800mm	A	18μm	810	445	725, 775,
3205-900	800-900mm	A	20μm	910	495	825, 875
3205-1000	900-1000mm	A	22μm	1010	545	925, 975
3205-1200	1000-1200mm	B	22μm	1210	645	1050, 1150
3205-1400	1200-1400mm	B	24μm	1410	745	1250, 1350
3205-1600	1400-1600mm	B	28μm	1610	845	1450, 1550
3205-1800	1600-1800mm	B	31μm	1810	945	1650, 1750
3205-2000	1800-2000mm	B	34μm	2010	1045	1850, 1950



type B

IP54
WATERPROOF

DATA
OUTPUT

DIGITAL OUTSIDE MICROMETER WITH INTERCHANGEABLE ANVILS

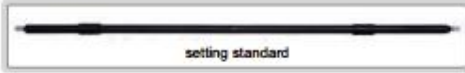
- Resolution 0.001mm/0.0001" (resolution of 3506-100A and 3506-150A is 0.001mm/0.00005")
- IP54 dust/waterproof
- Button function: on/off, set, mm/inch, ABS/INC, data output
- Data output
- LR44 battery, automatic power off
- Ratchet stop
- Carbide measuring faces
- Supplied with setting standards
- Optional accessory: data output cable (code 7306-30, 7302-SPC2A, 7305-SPC3)



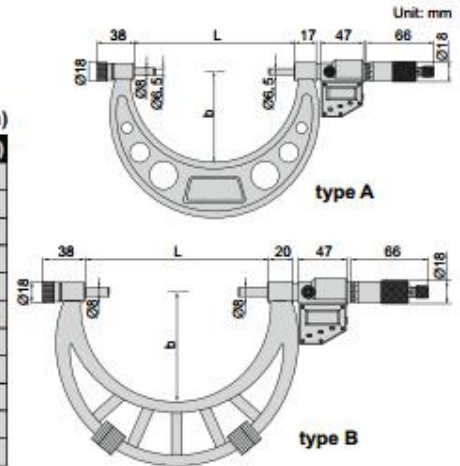
3506-100A



3506-400A



Code	Range	Type	Accuracy	L	b	Setting standard (included)
3506-100A	0-100mm/0-4"	A	±5µm	105	57	25, 50, 75
3506-150A	0-150mm/0-6"	A	±6µm	155	82	25, 50, 75, 100, 125
3506-300A	150-300mm/6-12"	A	±8µm	305	165	150, 175, 200, 225, 250, 275
3506-301A	200-300mm/8-12"	A	±8µm	305	165	200, 225, 250, 275
3506-400A	300-400mm/12-16"	B	±9µm	405	224	325, 375
3506-500A	400-500mm/16-20"	B	±11µm	505	275	425, 475
3506-600A	500-600mm/20-24"	B	±12µm	605	321	525, 575
3506-700A	600-700mm/24-28"	B	±13µm	705	371	625, 675
3506-800A	700-800mm/28-32"	B	±15µm	805	426	725, 775
3506-900A	800-900mm/32-36"	B	±16µm	905	476	825, 875
3506-1000A	900-1000mm/36-40"	B	±17µm	1005	576	925, 975



M & W MAKE

Features :

tube type low weight model
available with 2 anvils and 2 setting rods



Range	Reading
300-400mm	0.01mm
400-500mm	0.01mm
500-600mm	0.01mm
600-700mm	0.01mm
700-800mm	0.01mm
800-900mm	0.01mm
900-1000mm	0.01mm
1000-1200mm	0.01mm
1200-1400mm	0.01mm
1400-1600mm	0.01mm

Features :

tube type low weight model
comes with 4 anvils and 2 setting rods



METRIC MICROMETERS

DIN : 863 - 1999 / IS 2967 - 1983

TYPE	RANGE	READING	₹
MMC25	0 - 25 mm	0.01 mm	1500
MMC50	25 - 50 mm	0.01 mm	1990
MMC75	50 - 75 mm	0.01 mm	2140
MMC100	75 - 100 mm	0.01 mm	2360
MMC125	100 - 125 mm	0.01 mm	2860
MMC150	125 - 150 mm	0.01 mm	3210
MMC175	150 - 175 mm	0.01 mm	3920
MMC200	175 - 200 mm	0.01 mm	4720
MMI300	200 - 300 mm	0.01 mm	14280
MMI400	300 - 400 mm	0.01 mm	22200
MMI500	400 - 500 mm	0.01 mm	24770
MME600	500 - 600 mm	0.01 mm	32060
MME700	600 - 700 mm	0.01 mm	35630
MME800	700 - 800 mm	0.01 mm	42280
MME900	800 - 900 mm	0.01 mm	47950
MME1000	900 - 1000 mm	0.01 mm	56750

TYPE	RANGE	READING	₹
MMC25-1	0 - 25 mm	0.001 mm	1660
MMC50-1	25 - 50 mm	0.001 mm	2250
MMC75-1	50 - 75 mm	0.001 mm	2490
MMC100-1	75 - 100 mm	0.001 mm	2880
MMC125-1	100 - 125 mm	0.001 mm	3620
MMC150-1	125 - 150 mm	0.001 mm	3850

METRIC MICROMETER WITH INTERCHANGEABLE MEASURING ANVILS

TYPE	RANGE	READING	₹
MMI 0-100	0-100 mm	0.01 mm	9030
MMI 0-150	0-150 mm	0.01 mm	11130
MMI 150-300	150-300 mm	0.01 mm	15310

METRIC MICROMETER HEAD

TYPE	RANGE	READING	₹
MM25 - HP	0 - 25 mm PLAIN	0.01 mm	1290
MM25 - HT	0 - 25 mm THREADED	0.01 mm	1340
MM25-1 HP	0 - 25 mm PLAIN	0.001 mm	1430
MM25-1 HT	0 - 25 mm THREADED	0.001 mm	1480

NOTE: PRICE FOR SPECIAL MICROMETER HEADS AS PER CUSTOMER REQUIREMENTS ON REQUEST.

MITUTOYO MAKE

Outside Micrometers

SERIES 340, 104 — with Interchangeable Anvils



(Refer to the page 9 for details.)

Technical Data

Accuracy: $\pm(4+R/75)\mu\text{m}$, R = max. range (mm)
(excluding quantizing error for digital models)
*fraction rounded up

Resolution*: 0.001mm or .0001"/0.001mm
(.00005"/0.001mm: 340-351)

Graduation**: 0.01mm
0.6 μm for models up to 300mm
1 μm for models over 300mm

Parallelism: 2 μm for models up to 75mm
3 μm for models up to 150mm
(2+R/100) μm for models over 150mm,
R = max. range (mm) *fraction rounded up

Measuring faces: Carbide tipped

Display*: LCD

Battery*: SR44 (2 pc.), 938882
(1 pc.: 340-251, 252, 340-351, 352)

Battery life*: Approx. 1.8 years under normal use
(8 months for 340-251, 252, 340-351, 352)

Dust/Water protection level*: IP65
*Digital models **Analog models

Function of Digital Model

Zero-setting, Data hold, Preset, Power ON/OFF*, Data output,
inch/mm conversion (inch/mm models)
*Not available for 340-251, 252, 340-351, 352

Alarm: Low voltage, Counting value composition error

Optional Accessory for Digital Model

05CZA662: SPC cable with data switch (1m)
05CZA663: SPC cable with data switch (2m)



FEATURES

- IP65 water/dust protection (340 series*).
*Models with a range up to 300mm.
- Wide measuring range with interchangeable anvils.
- With a Ratchet Stop for constant force.
- Supplied with zero-setting standards for each range.
- With SPC output (series 340).

Digital model



SPECIFICATIONS

Metric Digital model		
Range	Order No.	Interchangeable anvils
0 - 150mm	340-251	0, 25, 50, 75, 100, 125mm
150 - 300mm	340-252	0, 25, 50, 75, 100, 125mm
300 - 400mm	340-513	0, 25, 50, 75mm
400 - 500mm	340-514	0, 25, 50, 75mm
500 - 600mm	340-515	0, 25, 50, 75mm
600 - 700mm	340-516	0, 25, 50, 75mm
700 - 800mm	340-517	0, 25, 50, 75mm
800 - 900mm	340-518	0, 25, 50, 75mm
900 - 1000mm	340-519	0, 25, 50, 75mm

Inch/Metric Digital model		
Range	Order No.	Interchangeable anvils
0 - 6"	340-351	0, 1", 2", 3", 4", 5"
6" - 12"	340-352	0, 1", 2", 3", 4", 5"
12" - 18"	340-713	0, 1", 2", 3", 4", 5"
18" - 24"	340-714	0, 1", 2", 3", 4", 5"
24" - 30"	340-715	0, 1", 2", 3", 4", 5"
30" - 36"	340-716	0, 1", 2", 3", 4", 5"

Metric		
Range	Order No.	Interchangeable anvils
0 - 50mm	104-171*	0, 25mm
0 - 100mm	104-139A	0, 25, 50, 75mm
0 - 150mm	104-135A	0, 25, 50, 75, 100, 125mm
50 - 150mm	104-161A	0, 25, 50, 75mm
100 - 200mm	104-140A	0, 25, 50, 75mm
150 - 300mm	104-136A	0, 25, 50, 75, 100, 125mm
200 - 300mm	104-141A	0, 25, 50, 75mm
300 - 400mm	104-142A	0, 25, 50, 75mm
400 - 500mm	104-143A	0, 25, 50, 75mm
500 - 600mm	104-144A	0, 25, 50, 75mm
600 - 700mm	104-145A	0, 25, 50, 75mm
700 - 800mm	104-146A	0, 25, 50, 75mm
800 - 900mm	104-147A	0, 25, 50, 75mm
900 - 1000mm	104-148A	0, 25, 50, 75mm

Inch		
Range	Order No.	Interchangeable anvils
0 - 2"	104-165*	0, 1"
0 - 4"	104-149	0, 1", 2", 3"
0 - 6"	104-137	0, 1", 2", 3", 4", 5"
2 - 6"	104-162	0, 1", 2", 3"
4 - 8"	104-150	0, 1", 2", 3"
8 - 12"	104-151	0, 1", 2", 3"
6" - 12"	104-138	0, 1", 2", 3", 4", 5"
12" - 18"	104-201	0, 1", 2", 3", 4", 5"
18" - 24"	104-202	0, 1", 2", 3", 4", 5"
24" - 30"	104-203	0, 1", 2", 3", 4", 5"
30" - 36"	104-204	0, 1", 2", 3", 4", 5"
36" - 42"	104-205	0, 1", 2", 3", 4", 5"

*.0001" reading is obtained with vernier.

*The frame in a heat insulating cover

DIMENSION

