



BEARING & TOOL CENTRE



Head Office

1st Floor, Vyapar Bhavan, Kadia Kui,
Relief Road, Ahmedabad - 380001.
Ph:- 079 - 22160386, 65254835, 22134835
Mobile : 7819819941, 9375706649

Ahmedabad Branch

GF-B-14, Jayraj Complex, Nr. Soni ni Chawl,
Odhav, Ahmedabad - 382415.
Ph:- 079 - 22890202, 65458950, 65404657, 65400202
Mobile : 7878825197, 7819819938, 9375706648

Website : www.bearingtoolcentre.com, www.bearingtoolscentre.com | Email : info@bearingtoolcentre.com

Our Sister Concern : RELIEF SERVICE CENTRE

Repairs, Removal of Jaw Error, Bore Gauge Extension, Instrument Modifications & Spares

Quotation

4 Adjustable Outside Micrometer (Interchangeable) 0. 01 mm

Range-mm	W	C	D %	0 – 50	0-100	0-150	50 -150	150-300	100-200	200 – 300
Insize Rs.	6	N		4548	8825	10938	9728	13996	12466	13609
Code				3206-50A	3206-100A	3206-150A	3206-151A	3206-300A	3206-200A	3206-301A
Catalog				Page-2	Page - 2	Page - 2	Page - 2	Page - 2	Page - 2	Page - 2
Insize Digi. Rs.	6	N			18493	20580		23807		22728
Code 0.001mm					3506-100A	3506-150A		3506-300A		3506-301A
Catalog				Page-2	Page - 2	Page - 2	Page - 2	Page - 2	Page - 2	Page - 2
Aerospace Rs.		N	10	1570	2250	3630	2830	4880	3500	
M & W Rs.	6	N	5	3300	5500	7000	6900	8800	8200	8200
Code				OMA 50	OMA 100	OMA150	OMA5150	OMA300	OMA200	OMA2300
Baker Rs.	12	Y	15	-	7990	14580	-	-	-	
Catalog				Page- 3	Page- 3	Page- 3	Page- 3	Page- 3	Page- 3	Page- 3
CodeS					4 MMC 100	6 MMC 150				
Mitutoyo Rs.	12	N	5	6755	12257	14085	13383	20777	14500	17940
Code				104-171	104-139	104-135	104-161	104-136	104-140	104-141
Catalog				Page- 4	Page- 4	Page- 4	Page- 4	Page- 4	Page- 4	Page- 4
NABL Trace Rs.				450	900	1450	1000	1750	1100	1400

Note:- Aerospace item once sold will not be taken back even if it is Faulty.

*** W – Warranty , C – Certificate , D- Discount

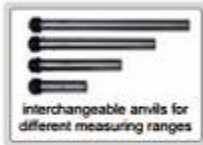
Terms & Conditions –

- Goods offered - Subject to Prior Sale
- Price Validity: "15 Days from Date of Quotation"
- C.S.T 2% extra against form C. Otherwise 5% without form C For Out of Gujarat Sales only.
- VAT 5% extra for Sales within Gujarat. Prices Ex-Godown Ahmedabad.
- Payment against Proforma Invoice, Packing, Forwarding & Freight extra.
- **Bank Detail** – Kotak Mahindra Bank Ltd.
- **Branch** – Shivranjini
- **Bank IFSC Code** - KKBK 0000 810
- **Bank Account No.** 08102 00000 2689
- Note - While making payment online do mention your Company's name.
- TIN NO 24070901229 , CST No. 24570901229
- We are looking forward to your valued orders.

INSIZE MAKE

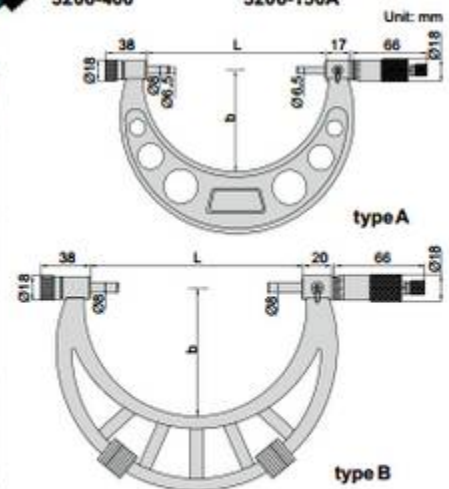
OUTSIDE MICROMETER WITH INTERCHANGEABLE ANVILS

- Graduation 0.01mm
- Ratchet stop
- Carbide measuring faces
- Supplied with setting standards



(mm)

Code	Range	Type	Accuracy	L	b	Setting standard (included)
3206-50A	0-50mm	A	4 μ m	58	35	25
3206-100A	0-100mm	A	5 μ m	108	57	25, 50, 75
3206-150A	0-150mm	A	6 μ m	158	82	25, 50, 75, 100, 125
3206-151A	50-150mm	A	6 μ m	158	82	50, 75, 100, 125
3206-200A	100-200mm	A	7 μ m	208	114	100, 125, 150, 175
3206-300A	150-300mm	A	9 μ m	308	165	150, 175, 200, 225, 250, 275
3206-301A	200-300mm	A	9 μ m	308	165	200, 225, 250, 275
3206-400	300-400mm	B	11 μ m	409	224	325, 375
3206-500	400-500mm	B	13 μ m	509	275	425, 475
3206-600	500-600mm	B	14 μ m	609	321	525, 575
3206-700	600-700mm	B	16 μ m	709	371	625, 675
3206-800	700-800mm	B	18 μ m	809	426	725, 775
3206-900	800-900mm	B	20 μ m	909	476	825, 875
3206-1000	900-1000mm	B	22 μ m	1009	576	925, 975



OUTSIDE MICROMETER WITH EXTENSION ANVIL COLLAR

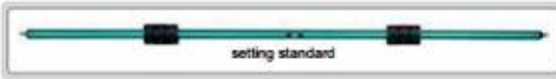


adjust collars for different measuring ranges



3205-400

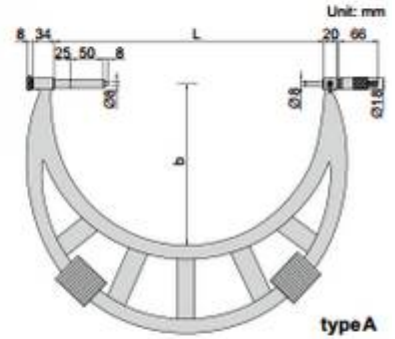
- Graduation 0.01mm
- Adjust collars for different measuring ranges
- Ratchet stop
- Carbide measuring faces
- Supplied with setting standards



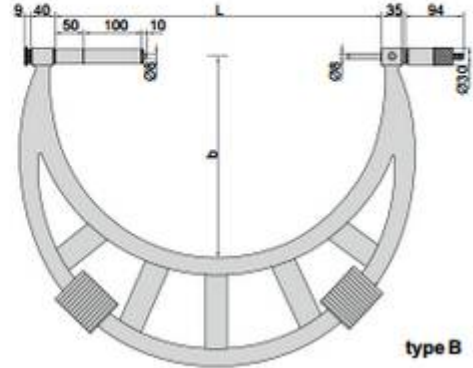
setting standard

(mm)

Code	Range	Type	Accuracy	L	b	Setting standard (included)
3205-400	300-400mm	A	11µm	410	250	325, 375
3205-500	400-500mm	A	13µm	510	295	425, 475
3205-600	500-600mm	A	14µm	610	345	525, 575
3205-700	600-700mm	A	16µm	710	395	625, 675
3205-800	700-800mm	A	18µm	810	445	725, 775,
3205-900	800-900mm	A	20µm	910	495	825, 875
3205-1000	900-1000mm	A	22µm	1010	545	925, 975
3205-1200	1000-1200mm	B	22µm	1210	645	1050, 1150
3205-1400	1200-1400mm	B	24µm	1410	745	1250, 1350
3205-1600	1400-1600mm	B	28µm	1610	845	1450, 1550
3205-1800	1600-1800mm	B	31µm	1810	945	1650, 1750
3205-2000	1800-2000mm	B	34µm	2010	1045	1850, 1950



type A



type B

BAKER MAKE

EXTERNAL MICROMETERS

BAKER
... passion for precision

1) SET OF MECHANICAL MICROMETERS



1) A SET OF FOUR METRIC MICROMETERS IN ONE WOODEN BOX

TYPE	RANGE	READING	₹
4MMC100	0 - 100 mm	0.01 mm	7990
4MMC100-1	0 - 100 mm	0.001 mm	9280

2) A SET OF FOUR INCH MICROMETERS IN ONE WOODEN BOX

TYPE	RANGE	READING	₹
4INC4	0 - 4"	0.001"	7790
4INC4-1	0 - 4"	0.0001"	9280

3) A SET OF SIX METRIC MICROMETERS IN ONE WOODEN BOX

TYPE	RANGE	READING	₹
6MMC150	0 - 150 mm	0.01 mm	14580
6MMC150-1	0 - 150 mm	0.001 mm	17260

MITUTOYO MAKE

Outside Micrometers

SERIES 340, 104 — with Interchangeable Anvils

FEATURES

- IP65 water/dust protection (340 series*).
*Models with a range up to 300mm.
- Wide measuring range with interchangeable anvils.
- With a Ratchet Stop for constant force.
- Supplied with zero-setting standards for each range.
- With SPC output (series 340).

Digital model



SPECIFICATIONS

Metric		Digital model
Range	Order No.	Interchangeable anvils
0 - 150mm	340-251	0, 25, 50, 75, 100, 125mm
150 - 300mm	340-252	0, 25, 50, 75, 100, 125mm

Inch/Metric		Digital model
Range	Order No.	Interchangeable anvils
0 - 6"	340-351	0, 1", 2", 3", 4", 5"
6" - 12"	340-352	0, 1", 2", 3", 4", 5"

SPC



IP65

(Refer to the page 9 for details.)

Technical Data

Accuracy: $\pm(4+R/75)\mu\text{m}$, R = max. range (mm)
(excluding quantizing error for digital models)
*fraction rounded up

Resolution*: 0.001mm or .0001"/0.001mm
(.00005"/0.001mm: 340-351)

Graduation**: 0.01mm

Flatness: 0.6 μm for models up to 300mm
1 μm for models over 300mm

Parallelism: 2 μm for models up to 75mm
3 μm for models up to 150mm
(2+R/100) μm for models over 150mm,
R = max. range (mm) *fraction rounded up

Measuring faces: Carbide tipped

Display*: LCD

Battery*: SR44 (2 pc.), 938882
(1 pc.: 340-251, 252, 340-351, 352)

Battery life*: Approx. 1.8 years under normal use
(8 months for 340-251, 252, 340-351, 352)

Dust/Water protection level*: IP65
 *Digital models **Analog models

Function of Digital Model

Zero-setting, Data hold, Preset, Power ON/OFF*, Data output, inch/mm conversion (inch/mm models)

*Not available for 340-251, 252, 340-351, 352

Alarm: Low voltage, Counting value composition error

Optional Accessory for Digital Model

05CZA662: SPC cable with data switch (1m)

05CZA663: SPC cable with data switch (2m)



300 - 400mm	340-513	0, 25, 50, 75mm
400 - 500mm	340-514	0, 25, 50, 75mm
500 - 600mm	340-515	0, 25, 50, 75mm
600 - 700mm	340-516	0, 25, 50, 75mm
700 - 800mm	340-517	0, 25, 50, 75mm
800 - 900mm	340-518	0, 25, 50, 75mm
900 - 1000mm	340-519	0, 25, 50, 75mm

12" - 18"	340-713	0, 1", 2", 3", 4", 5"
18" - 24"	340-714	0, 1", 2", 3", 4", 5"
24" - 30"	340-715	0, 1", 2", 3", 4", 5"
30" - 36"	340-716	0, 1", 2", 3", 4", 5"

Metric

Range	Order No.	Interchangeable anvils
0 - 50mm	104-171*	0, 25mm
0 - 100mm	104-139A	0, 25, 50, 75mm
0 - 150mm	104-135A	0, 25, 50, 75, 100, 125mm
50 - 150mm	104-161A	0, 25, 50, 75mm
100 - 200mm	104-140A	0, 25, 50, 75mm
150 - 300mm	104-136A	0, 25, 50, 75, 100, 125mm
200 - 300mm	104-141A	0, 25, 50, 75mm
300 - 400mm	104-142A	0, 25, 50, 75mm
400 - 500mm	104-143A	0, 25, 50, 75mm
500 - 600mm	104-144A	0, 25, 50, 75mm
600 - 700mm	104-145A	0, 25, 50, 75mm
700 - 800mm	104-146A	0, 25, 50, 75mm
800 - 900mm	104-147A	0, 25, 50, 75mm
900 - 1000mm	104-148A	0, 25, 50, 75mm

Inch

Range	Order No.	Interchangeable anvils
0 - 2"	104-165*	0, 1"
0 - 4"	104-149	0, 1", 2", 3"
0 - 6"	104-137	0, 1", 2", 3", 4", 5"
2 - 6"	104-162	0, 1", 2", 3"
4 - 8"	104-150	0, 1", 2", 3"
8 - 12"	104-151	0, 1", 2", 3"
6" - 12"	104-138	0, 1", 2", 3", 4", 5"
12" - 18"	104-201	0, 1", 2", 3", 4", 5"
18" - 24"	104-202	0, 1", 2", 3", 4", 5"
24" - 30"	104-203	0, 1", 2", 3", 4", 5"
30" - 36"	104-204	0, 1", 2", 3", 4", 5"
36" - 42"	104-205	0, 1", 2", 3", 4", 5"

*.0001" reading is obtained with vernier.

*The frame in a heat insulating cover

DIMENSION

