



BEARING & TOOL CENTRE



Head Office

1st Floor, Vyapar Bhavan, Kadia Kui,
Relief Road, Ahmedabad - 380001.
Ph:- 079 - 22160386, 65254835, 22134835
Mobile : 7819819941, 9375706649

Ahmedabad Branch

GF-B-14, Jayraj Complex, Nr. Soni ni Chawl,
Odhav, Ahmedabad - 382415.
Ph:- 079 - 22890202, 65458950, 65404657, 65400202
Mobile : 7878825197, 7819819938, 9375706648

Website : www.bearingtoolcentre.com, www.bearingtoolscentre.com | Email : info@bearingtoolcentre.com

Our Sister Concern : RELIEF SERVICE CENTRE

Repairs, Removal of Jaw Error, Bore Gauge Extension, Instrument Modifications & Spares

Quotation

121 Block and Frame Level / Spirit Level / Master Level , least count 0. 02 mm per meter

Range-mm	W	C	D %	Block				Frame			
				100	150	200	300	100	150	200	300
Insize Rs.	6	N			8449	8907	11158	-----	-----	-----	-----
Code					4903-150	4903-200	4903-300	-----	-----	-----	-----
Catalog					Page No-3	Page No-3	Page No-3				
Asahi Rs.		N		3300	3630	4070	7370	5500	6050	6600	---
Aerospace Rs.		N	10		3550	3850	4550		4760	5490	7930
Jafuji Rs.	12	Y	13	7880	7140	7560	9660	--	10200	13200	23400
Milhard Rs	12	Y		4950	4950	5780	7430	7950	9900	12380	
Code				PBL-202	PBL-302	PBL-402	PBL-502	PSL-202	PSL-302	PSL-402	
Catalog				Page-4,5	Page-4,5	Page-4,5	Page-4,5	Page-4,5	Page-4,5	Page-4,5	
Milhard Rs	12	Y		9900	9900	11550	14850				
Code 0.01mm				PBL-201	PBL-301	PBL-401	PBL-501				
Catalog				Page-4,5	Page-4,5	Page-4,5	Page-4,5				
M & W Rs.	6	N			4500	5200	7500		7000	8000	9800
Code					PLB 150	PLB 200	PLB 300		PLF 150	PLF 200	PLF 300
Catalog					Page No-7	Page No-7	Page No-7				
RSK Rs		N		8165	8500	9350	12200	10700	11800	17000	
FSK Rs		N		9700	7800	9000	11800	9700	10800	15000	21000
Mitutoyo Rs.	12	N	5			25163				47155	
Code						960 - 603				960 - 703	
Catalog						Page No-7				Page No-7	
Calibration Rs.				2000	2250	2500	3000	3000	3250	3500	4500

Note:- Aerospace item once sold will not be taken back even if it is Faulty.

*** W – Warranty , C – Certificate , D- Discount

*** For Spare Bubble (M & W Make) @ Rs. 2500.00

Note - Mitutoyo - Made in Mexico, without calibration certificate.

For Levels except Jafuji / Milhard, we do not guarantee accuracy.

-> Note : Central Excise limit with effect from 1-1-2012 on Jafuji make. The rate of Duty applicable is 10.3% (10% Basic Excise Duty, 2% Edu. Cess & 1% secondary & higher Edu. Cess).

121 - 1	Professional Digital Box Level – Spirit level Type – 0. 1 degree LC - Kaparo make (Israel)			
----------------	---	--	--	--

Size - mm	10” / 250 mm	24” / 600 mm	36” / 1000 mm	48” / 1200 mm
Price	5600	10500	14500	18500
Catalog	Page – 6	Page – 6	Page – 6	Page – 6

Terms & Conditions –

- Goods offered - Subject to Prior Sale
- Price Validity: "15 Days from Date of Quotation"
- C.S.T 2% extra against form C. Otherwise 5% without form C For Out of Gujarat Sales only.
- VAT 5% extra for Sales within Gujarat. Prices Ex-Godown Ahmedabad.
- Payment against Proforma Invoice, Packing, Forwarding & Freight extra.
- **Bank Detail** – Kotak Mahindra Bank Ltd.
- **Branch** – Shivranjini
- **Bank IFSC Code** - KKBK 0000 810
- **Bank Account No.** 08102 00000 2689
- Note - While making payment online do mention your Company's name.
- TIN NO 24070901229 , CST No. 24570901229
- We are looking forward to your valued orders.

INSIZE MAKE

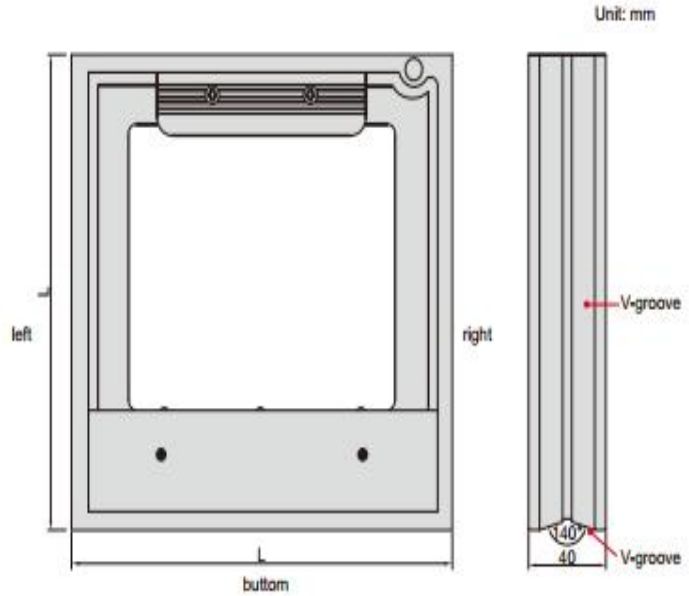
FRAME LEVEL

ATTENTION:
BASIC MODEL



4902-200

- V-groove on bottom and left for shafts (shafts dia. 15~70mm)
- With transverse vial
- Supplied with adjusting wrench



Code		Size(LxL)
Sensitivity 0.02mm/m(=0.001°)	Sensitivity 0.05mm/m(=0.0029°)	
4902-200	4902-C200	200x200mm



NO NEED TO SET ZERO BEFORE USE

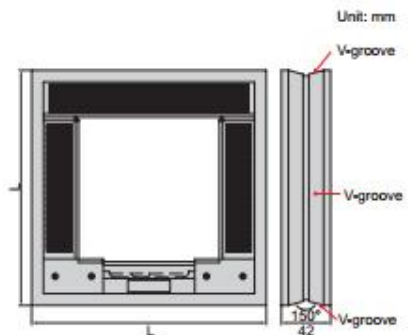


4906-200

- No need to set zero before use
- Three V-grooves for shafts (shafts dia. 19.3~115.9mm)
- With longitudinal vial

FRAME LEVEL

Code		Size (LxL)
Sensitivity 0.02mm/m(=0.001°)	Sensitivity 0.1mm/m(=0.0057°)	
4906-150	4906-B150	150x150mm
4906-200	4906-B200	200x200mm
4906-300	4906-B300	300x300mm



ATTENTION:
BASIC MODEL

BLOCK LEVEL



4903-200A

- V-groove on bottom for shafts (shafts dia. 15~70mm)
- With transverse vial
- Supplied with adjusting wrench



Code		Length (L)	B	C
Sensitivity 0.02mm/m(=0.001°)	Sensitivity 0.05mm/m(=0.0029°)			
4903-150A	4903-C150	150mm	40	45
4903-200A	4903-C200	200mm	42	47
4903-300A	4903-C300	300mm	45	50

MILHARD MAKE





- For alignment & inspection of flat & cylindrical surfaces in horizontal positions
 - PBL series levels are made from close grain seasoned Cast Iron and precision ground
 - PBLs series levels are made from special tool steel, hardened and precision ground
 - All the levels have longitudinal Vee groove between the bearing flats for accurate positioning on round work
- Note:** Levels with magnetic base can also be provided to ensure better contact to the work piece

Length	Size (mm)			Material	Accuracy Per Meter							Net Weight (kgs.)
	Width	Height			0,01mm	0,02mm	0,04mm	0,05mm	0,06mm	0,08mm	0,10mm	
50	50	45	Tool steel	PBLS-101	PBLS-102	PBLS-104	PBLS-105	PBLS-106	PBLS-108	PBLS-110	0.50	
			Cast Iron	PBL-101	PBL-102	PBL-104	PBL-105	PBL-106	PBL-108	PBL-110		
100	50	45	Tool Steel	PBLS-201	PBLS-202	PBLS-204	PBLS-205	PBLS-206	PBLS-208	PBLS-210	0.90	
			Cast Iron	PBL-201	PBL-202	PBL-204	PBL-205	PBL-206	PBL-208	PBL-210		
150	50	45	Tool Steel	PBLS-301	PBLS-302	PBLS-304	PBLS-305	PBLS-306	PBLS-308	PBLS-310	1.40	
			Cast Iron	PBL-301	PBL-302	PBL-304	PBL-305	PBL-306	PBL-308	PBL-310		
200	50	45	Tool Steel	PBLS-401	PBLS-402	PBLS-404	PBLS-405	PBLS-406	PBLS-408	PBLS-410	1.80	
			Cast Iron	PBL-401	PBL-402	PBL-404	PBL-405	PBL-406	PBL-408	PBL-410		
300	50	45	Tool Steel	PBLS-501	PBLS-502	PBLS-504	PBLS-505	PBLS-506	PBLS-508	PBLS-510	2.70	
			Cast Iron	PBL-501	PBL-502	PBL-504	PBL-505	PBL-506	PBL-508	PBL-510		

Series-PBLS / PBL



Series-ML / MLM

- Made from close grain seasoned Cast Iron
- Precisely machined and then ground on highly accurate reference surface
- All the models have a longitudinal Vee groove between the bearing flats for accurate positioning on round work
- The levels have ground and graduated main vial and a cross test vial
- Series MLM has magnetic base for better contact to the work piece

Model	Base Size (mm)		Accuracy per Meter (mm)	Net Weight (kgs.)
	Length	Width		
ML-1 MLM-1	100	35	0.10	0.50
ML-2 MLM-2	150	35	0.10	0.75
ML-3 MLM-3	200	35	0.10	0.95
ML-4 MLM-4	300	35	0.10	1.50





- Specially designed for applications where working area and weight are a constraint
- PSBLS series levels are made from special tool steel, hardened and precision ground
- PSBLA series levels are made from Aluminum
- All the levels have longitudinal Vee groove between the bearing flats for accurate positioning on round work

Note: Levels with magnetic base can also be provided to ensure better contact to the work piece

Series-PSBLS / PSBLA (Sleek Design)

Size (mm)			Material	Accuracy Per Meter												Net Weight (Kgs.)
Length	Width	Height		0,01mm	0,02mm	0,04mm	0,05mm	0,06mm	0,08mm	0,10mm	0,20mm	0,30mm	0,40mm	0,50mm	0,60mm	
50	22	23	Tool Steel	PSBLS-101	PSBLS-102	PSBLS-104	PSBLS-105	PSBLS-106	PSBLS-108	PSBLS-110	PSBLS-120	PSBLS-130	PSBLS-140	PSBLS-150	PSBLS-160	0.12
			Aluminium							PSBLA-110	PSBLA-120	PSBLA-130	PSBLA-140	PSBLA-150	PSBLA-160	0.05
100	22	23	Tool Steel	PSBLS-201	PSBLS-202	PSBLS-204	PSBLS-205	PSBLS-206	PSBLS-208	PSBLS-210	PSBLS-220	PSBLS-230	PSBLS-240	PSBLS-250	PSBLS-260	0.23
			Aluminium								PSBLA-210	PSBLA-220	PSBLA-230	PSBLA-240	PSBLA-250	PSBLA-260
150	22	23	Tool Steel	PSBLS-301	PSBLS-302	PSBLS-304	PSBLS-305	PSBLS-306	PSBLS-308	PSBLS-310	PSBLS-320	PSBLS-330	PSBLS-340	PSBLS-350	PSBLS-360	0.34
			Aluminium								PSBLA-310	PSBLA-320	PSBLA-330	PSBLA-340	PSBLA-350	PSBLA-360
200	22	23	Tool Steel	PSBLS-401	PSBLS-402	PSBLS-404	PSBLS-405	PSBLS-406	PSBLS-408	PSBLS-410	PSBLS-420	PSBLS-430	PSBLS-440	PSBLS-450	PSBLS-460	0.45
			Aluminium								PSBLA-410	PSBLA-420	PSBLA-430	PSBLA-440	PSBLA-450	PSBLA-460
300	22	23	Tool Steel	PSBLA-501	PSBLS-502	PSBLS-504	PSBLS-505	PSBLS-506	PSBLS-508	PSBLS-510	PSBLS-520	PSBLS-530	PSBLS-540	PSBLS-550	PSBLS-560	0.68
			Aluminium								PSBLA-510	PSBLA-520	PSBLA-530	PSBLA-540	PSBLA-550	PSBLA-560

PRECISION LEVELS



- Made from close grain seasoned Cast Iron
- For alignment & inspection of flat & cylindrical surface in horizontal as well as vertical position
- The level has two Vee grooves between the bearing flats for accurate positioning on Round work

Length (mm)	Size		Accuracy per meter			Net Weight (kgs.)
	Width (mm)	Height (mm)	0.02mm	0.05mm	0.10mm	
100	40	100	PSL-202	PSL-205	PSL-210	1.50
150	40	150	PSL-302	PSL-305	PSL-310	2.60
200	40	200	PSL-402	PSL-405	PSL-410	3.00

Series-PSL

Patented

985D DIGIMAN®



Professional Digital Box Level



- 985M professional box level with Plumb Site (p. 14)
- MEMS technology (Micro-Electro-Mechanical Systems)
- LCD with backlight
- 360° readout – flips in upside-down position
- HOLD function
- MODE function (degree/percentage/pitch)
- MEMORY RECALL (9 measurements)
- RECALIBRATION function and "false zero"
- Buzzer at 0°, 45° and 90°
- Digital accuracy: 0.1° at level and plumb, 0.2° at other angles



Upside-down readout



Rare-earth magnets



Degree / Percentage / Pitch



Plumb Site®



UV Resistant



Shockproof Vials



Shockproof End Caps



1.5V
Max included



CE



Magnetic



MITUTOYO MAKE

Mitutoyo

Precision Levels

SERIES 960

FEATURES

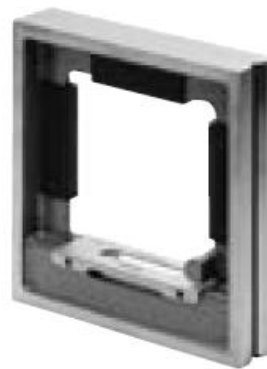
- High precision longitudinal and transverse vials make it possible to check or level surfaces.

SPECIFICATIONS

Order No.	Sensitivity	Dimensions (W x D x H)
960-606	0.02mm/m	200 x 44 x 38.2mm
960-706	0.02mm/m	200 x 44 x 200mm



960-606



960-706

Technical Data

Accuracy of graduations: ± 0.7 (960-606), ± 0.3 (960-706)

M&W MAKE

CODE		PRICE
PLB 150	150 mm	4,500/-
PLB 200	200 mm	5,200/-
PLB 300	300 mm	7,500/-

