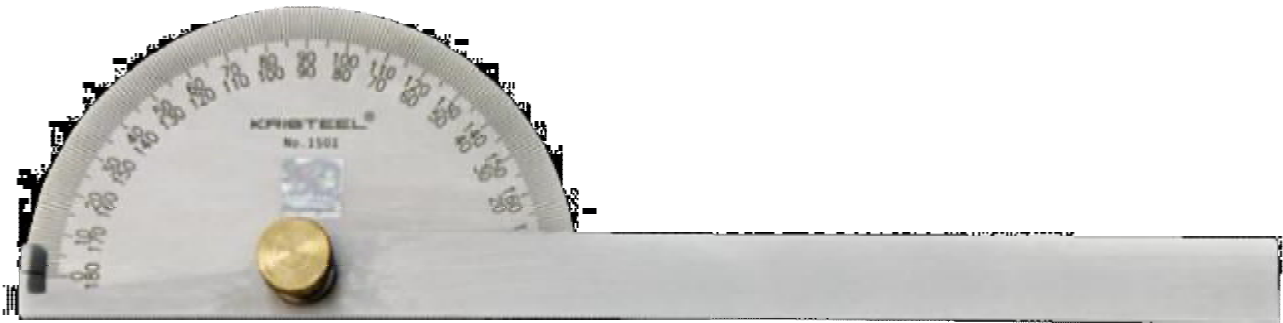


137 - 2	Gauges	Disc %	Degree Prot	Degree Prot	Degree Prot	Degree Prot	Degree Prot	Degree Prot
			180 deg	180 deg	180 deg	180 deg	Heavy Duty 6"	Heavy Duty 8"
	Model		1501	1502	1501 A	1502 B	DP-HD-6	DP-HD-8
	Rs.	30	230	230	255	255	525	745
	Calibration Rs.	30	500	500	500	500	500	500

DEGREE PROTRACTOR ("D" HEAD), MODEL – 1501

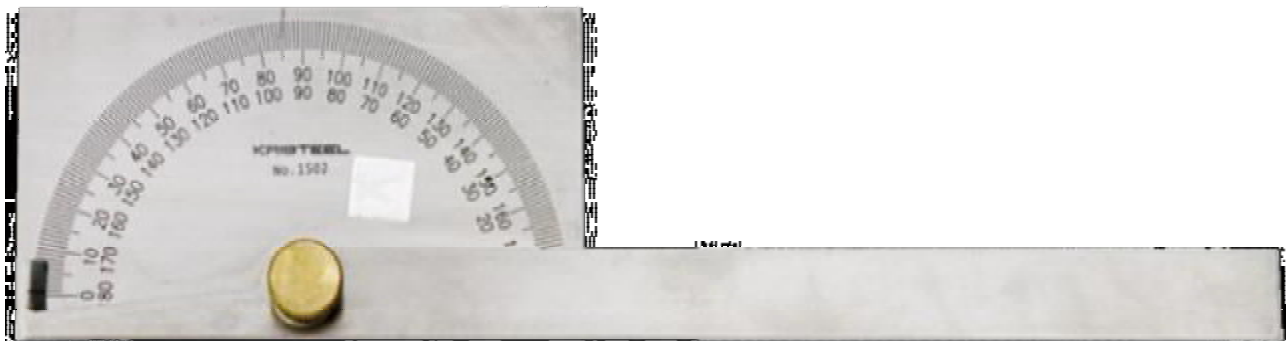


STAINLESS STEEL DEGREE PROTRACTOR (D- HEAD)

For Machinists, Draughtsmen, layout men & other mechanics. Protractor has easy etched reading graduations from 0° to 180° on opposite directions

- ELEGANT DESIGN
- ACCURATE GRADUATION
- POLISHED FINISH

DEGREE PROTRACTOR (SQUARE HEAD), MODEL – 1502

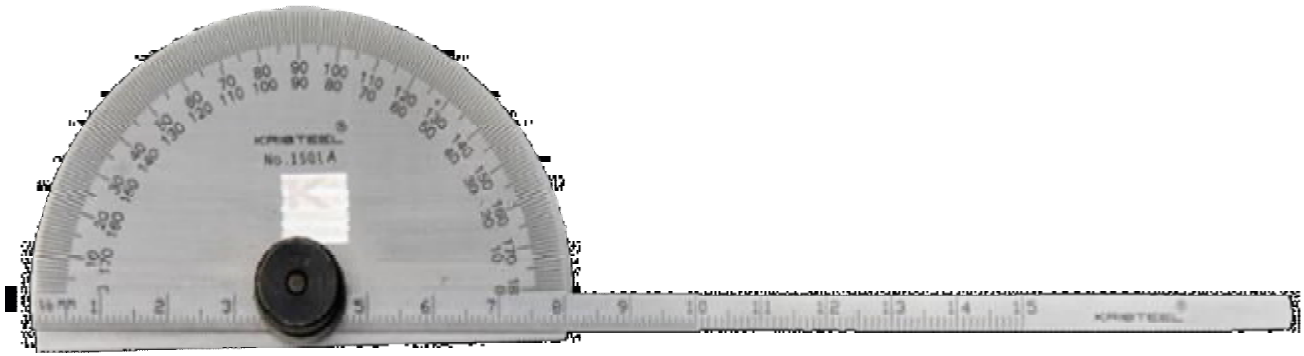


STAINLESS STEEL DEGREE PROTRACTOR (SQUARE - HEAD)

For Machinists, Draughtsmen, layout men & other mechanics. Protractor has easy etched reading graduations from 0° to 180° on opposite directions

- ELEGANT DESIGN
- ACCURATE GRADUATION
- POLISHED FINISH

PROTRACTOR CUM DEPTH GAUGE ("D" – HEAD), MODEL – 1501 A

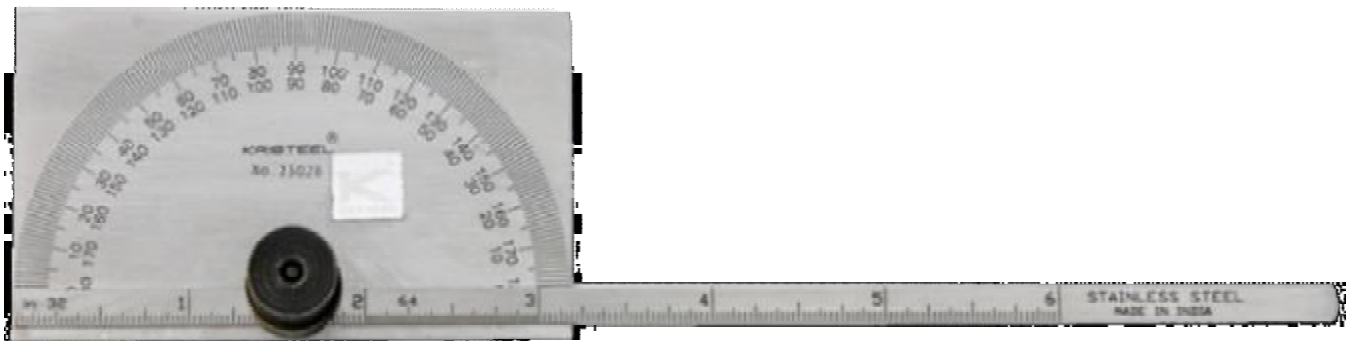


PROTRACTOR CUM DEPTH GAUGE (D - HEAD)

For Machinists, Draughtsmen, layout men & other mechanics. Protractor has easy etched reading graduations from 0° to 180° on opposite directions. The protractor also includes depth gauge scale for measuring the depth

- ELEGANT DESIGN
- ACCURATE GRADUATION
- POLISHED FINISH

PROTRACTOR CUM DEPTH GAUGE (SQUARE HEAD), MODEL –1502– B

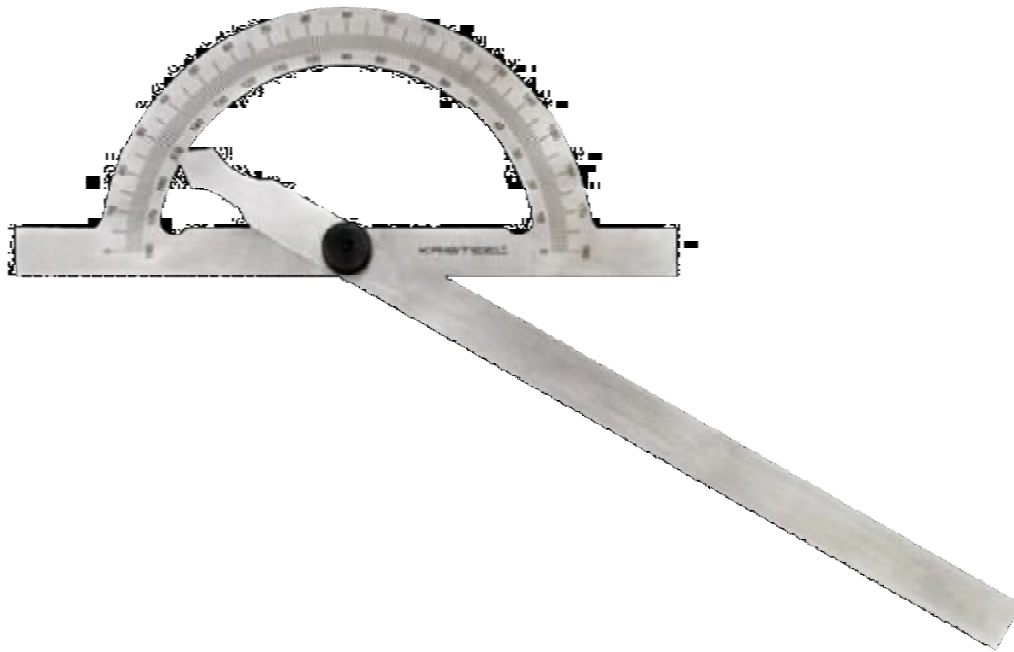


PROTRACTOR CUM DEPTH GAUGE (SQUARE - HEAD)

For Machinists, Draughtsmen, layout men & other mechanics. Protractor has easy etched reading graduations from 0° to 180° on opposite directions. The protractor also includes depth gauge scale for measuring the depth

- ELEGANT DESIGN
- ACCURATE GRADUATION
- POLISHED FINISH

DEGREE PROTRACTOR HEAVY DUTY (MODEL DP – HD)



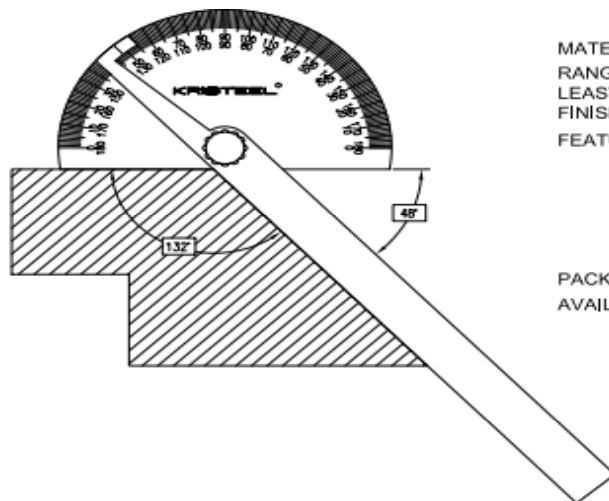
DEGREE PROTRACTOR GAUGE HEAVY DUTY

Heavy duty protractor with hollow base. Handy tool for easy marking on works piece in tool room & machine.

Model	Arm Length
DP-HD6	150 mm
DP-HD8	200 mm

DEGREE PROTRACTOR

KRISTEEL® - Shinwa



MATERIAL :- Stainless Steel

RANGE :- 0° TO 180°

LEASTCOUNT :- 1 Degree

FINISH :- Polished or Chrome plated

FEATURE/USE:- Steel protractors are for setting bevels and measuring and marking angles. It has permanently etched graduations for 0 to 180 degrees in opposite directions. It has a 90 mm Dia. head. The 6" adjustable protractor arm locks into desired position with knurled thumb nut. Round head

PACKING :- Each assy packed in PVC pouch

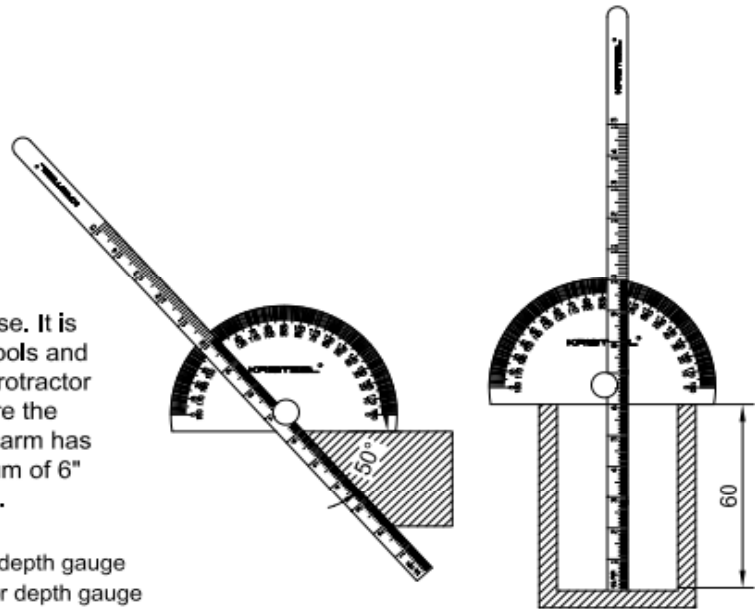
AVAILABLE MODELS :- 1) Round head degree protractor
1) Rectanle head degree protractor

MATERIAL :- Stainless Steel
 RANGE :- 0° TO 180°
 LEASTCOUNT :- 1 Degree
 FINISH :- Polished or Chrome plated
 FEATURE/USE:-

This is a useful tool that serves a dual purpose. It is used as a protractor for checking angles on tools and workpieces. By loosening a knurled nut the protractor arm will slide allowing it to be used to measure the depth of small boxes and other projects. The arm has a scale on it enabling it to measure a maximum of 6" deep. The protractor body measures 3" wide.

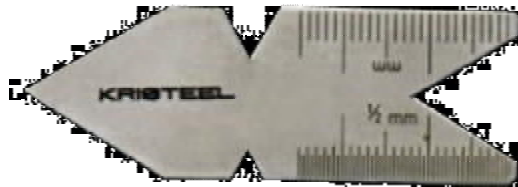
PACKING :- Each assy packed in PVC pouch

AVAILABLE MODELS :- 1) Round head protractor depth gauge
 1) Rectanle head protractor depth gauge



137 - 3	Gauges	Centre	Centre	Screw Cutting
	Model	1507 A	1507 B	1508
	Rs.	65	65	65
	Discount	30%	30%	30%

CENTRE GAUGES 55° (MODEL - 1507 A)



A- 55° CENTRE GAUGE
 B - 60° CENTRE GAUGE

- 1 Made of Steel
- 2 Graduations is both British & Metric System