



BEARING & TOOL CENTRE



Head Office

1st Floor, Vyapar Bhavan, Kadia Kui,
Relief Road, Ahmedabad - 380001.
Ph:- 079 - 22160386, 65254835, 22134835
Mobile : 7819819941, 9375706649

Ahmedabad Branch

GF-B-14, Jayraj Complex, Nr. Soni ni Chawl,
Odhav, Ahmedabad - 382415.
Ph:- 079 - 22890202, 65458950, 65404657, 65400202
Mobile : 7878825197, 7819819938, 9375706648

Website : www.bearingtoolcentre.com, www.bearingtoolscentre.com | Email : info@bearingtoolcentre.com

Our Sister Concern : RELIEF SERVICE CENTRE

Repairs, Removal of Jaw Error, Bore Gauge Extension, Instrument Modifications & Spares

Quotation

32 | Depth Vernier Caliper [Least Count – 0.02 mm]

Range-mm	W	C	D %	0-150	0 – 200	0-300	0-500	0-600	0 – 1000
Insize Rs.	6	N		1950	1979	2564	5703		
Code				1240-1501	1240-2001	1240-3001	1240-5001		
Catalog				Page – 2,3	Page – 2,3	Page – 2,3	Page – 2,3		
Insize Rs.	6	N		2516	3176	3896		19437	40878
Code				1247-1501	1247-2001	1247-3001		1247-6001	1247-1001
Catalog				Page – 2,3	Page – 2,3	Page – 2,3		Page – 2,3	Page – 2,3
Insize Rs. With fine adj.	6	N		3434	3882	4530			
Code				1249-1501	1249-2001	1249-3001			
Catalog				Page – 2,3	Page – 2,3	Page – 2,3			
Aerospace Rs.		N	10	700	810	910		3000	9380
M & W Rs.	6	N		900	1150	1400		3400	
Code (VDG)				150	200	300		600	
Catalog				Page – 5	Page – 5	Page – 5		Page – 5	
Precision Rs.	12	Y	15		1700	2600			
Mitutoyo Rs. – With fine Adj	12	N	5	5773	6394	8862		31242	33637
Code				527-101	527-102	527-103		527-104	527-105
Catalog				Page – 4,5	Page – 4,5	Page – 4,5		Page – 4,5	Page – 4,5

32 – 1 | Depth Vernier Caliper [Least Count – 0.02 mm]

Range-mm	W	C	D %	0-150	0 – 200	0-300	0-500	0-600	0 – 1000
Insize Rs.	6	N		2311	2892	3410		19112	40549
Code				1247-150	1247-200	1247-300		1247-600	1247-1000
Catalog				Page – 2,3	Page – 2,3	Page – 2,3		Page – 2,3	Page – 2,3
Insize Rs. With fine adj	6	N		3398	3847	4386			
Code				1249-150	1249-200	1249-300			
Catalog				Page – 2,3	Page – 2,3	Page – 2,3			
Mitutoyo Rs. – No Fine Adj	12	N	5	5431	5431	7295			
Code				527-121	527-122	527-123			
Catalog				Page – 4,5	Page – 4,5	Page – 4,5			
Calibration Rs.				250	275	300	450	450	500

32 – 2 | Dial Depth Vernier Caliper [Least Count – 0.05 mm] – with fine

Range-mm	W	C	D %	0-150	0 – 200	0-300
Mitutoyo Rs.	12	N	5	15851	16742	18534
Code				527-301-50	527-302-50	527-303-50
Catalog				Page – 4,5	Page – 4,5	Page – 4,5
Calibration Rs.				250	275	300

Note:- Aerospace item once sold will not be taken back even if it is Faulty.

*** W – Warranty , C – Certificate , D- Discount

Terms & Conditions –

- Goods offered - Subject to Prior Sale
- Price Validity: "15 Days from Date of Quotation"
- C.S.T 2% extra against form C. Otherwise 5% without form C For Out of Gujarat Sales only.
- VAT 5% extra for Sales within Gujarat. Prices Ex-Godown Ahmedabad.
- Payment against Proforma Invoice, Packing, Forwarding & Freight extra.
- **Bank Detail** – Kotak Mahindra Bank Ltd.
- **Branch** – Shivranjini
- **Bank IFSC Code** - KKBK 0000 810
- **Bank Account No.** 08102 00000 2689
- Note - While making payment online do mention your Company's name.
- TIN NO 24070901229 , CST No. 24570901229
- We are looking forward to your valued orders.

INSIZE MAKE

VERNIER DEPTH GAGE (STANDARD MODEL)

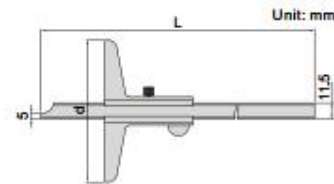
- Made of stainless steel
- Satin chrome plated reading surface

Graduation 0.05mm (mm)				
Code	Range	Accuracy	L	d
1240-150	0-150mm	±0.05mm	245	100
1240-200	0-200mm	±0.05mm	282	100
1240-300	0-300mm	±0.08mm	382	100
1240-500	0-500mm	±0.09mm	585	150

Graduation 0.02mm (mm)				
Code	Range	Accuracy	L	d
1240-1501	0-150mm	±0.03mm	245	100
1240-2001	0-200mm	±0.03mm	282	100
1240-3001	0-300mm	±0.04mm	382	100
1240-5001	0-500mm	±0.05mm	585	150



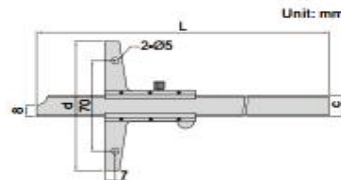
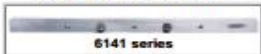
1240-2001



WITH MOUNTING HOLES FOR EXTENSION BASE

- Made of stainless steel
- Satin chrome plating finish on reading surface
- Optional accessory: extension base (code 6141)

extension base (optional)



VERNIER DEPTH GAGE



1247-1501

Graduation 0.05mm		
Code	Range	Accuracy
1247-150	0-150mm	±0.05mm
1247-200	0-200mm	±0.05mm
1247-300	0-300mm	±0.08mm
1247-600	0-600mm	±0.10mm
1247-1000	0-1000mm	±0.15mm

Graduation 0.02mm		
Code	Range	Accuracy
1247-1501	0-150mm	±0.03mm
1247-2001	0-200mm	±0.03mm
1247-3001	0-300mm	±0.04mm
1247-6001	0-600mm	±0.05mm
1247-1001	0-1000mm	±0.07mm

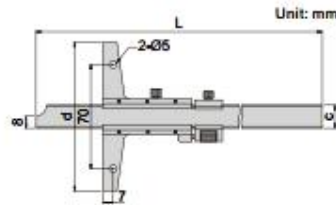
(mm)			
Range	L	c	d
0-150mm	240	16	100
0-200mm	290	16	100
0-300mm	390	16	100
0-600mm	704	16	150
0-1000mm	1124	18	200

WITH MOUNTING HOLES
FOR EXTENSION BASE

VERNIER DEPTH GAGE WITH FINE ADJUSTMENT

- With fine adjustment
- Made of stainless steel
- Satin chrome plating finish on reading surface
- Optional accessory: extension base (code 6141)

extension base (optional)



1249-1501

Graduation 0.05mm

Code	Range	Accuracy
1249-150	0-150mm	±0.05mm
1249-200	0-200mm	±0.05mm
1249-300	0-300mm	±0.08mm

Graduation 0.02mm

Code	Range	Accuracy
1249-1501	0-150mm	±0.03mm
1249-2001	0-200mm	±0.03mm
1249-3001	0-300mm	±0.04mm

(mm)

Range	L	c	d
0-150mm	256	16	100
0-200mm	306	16	100
0-300mm	406	16	100

MITUTOYO MAKE

Dial Depth Gage

SERIES 527 — with Fine Adjustment

FEATURES

- Easier and faster reading of dial.
- Made of hardened stainless steel.
- Base and measuring faces are hardened and micro-lapped.
- Optional wider extension base are available.



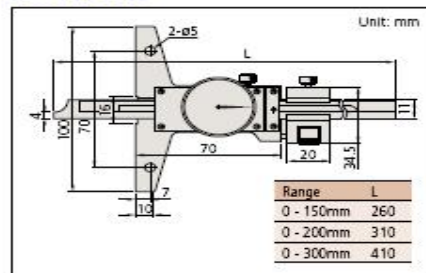
537-301-50

SPECIFICATIONS

Metric			
Range	Order No.	Dial reading	Accuracy
0 - 150mm	527-301-50	0.05mm	±0.05mm
0 - 200mm	527-302-50	0.05mm	±0.05mm
0 - 300mm	527-303-50	0.05mm	±0.08mm

Inch			
Range	Order No.	Dial reading	Accuracy
0 - 6"	527-311-50	.001"	±.001"
0 - 8"	527-312-50	.001"	±.001"
0 - 12"	527-313-50	.001"	±.0015"

DIMENSION



Range	L
0 - 150mm	260
0 - 200mm	310
0 - 300mm	410

Technical Data

Accuracy: Refer to the list of specifications.
Dial reading: 0.05mm or .001"
Base size: 100 x 6.5mm (W x T)

Optional Accessory

—: Extension base (see page 179.)



Vernier Depth Gage

SERIES 527

FEATURES

- Base and measuring faces are hardened and micro-lapped.
- Made of hardened stainless steel.
- Optional wider extension base are available. (up to 450mm range models)

Technical Data

Accuracy: Refer to the list of specifications.
Graduation: 0.05mm, 0.02mm or .001"

Optional Accessory

—: Extension base (see page 179.)

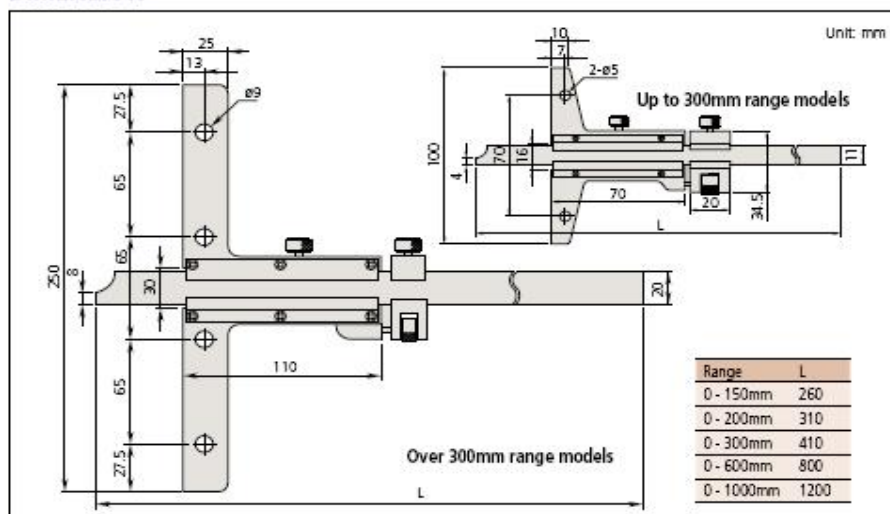


SPECIFICATIONS

Metric					
Range	Order No.	Vernier reading	Accuracy	Remarks (base (W x T) / others)	
0 - 150mm	527-201	0.05mm	±0.05mm	100 x 6.5mm	—
0 - 150mm	527-121	0.02mm	±0.03mm	100 x 6.5mm	—
0 - 150mm	527-101	0.02mm	±0.03mm	100 x 6.5mm	with fine adjustment
0 - 200mm	527-202	0.05mm	±0.05mm	100 x 6.5mm	—
0 - 200mm	527-122	0.02mm	±0.03mm	100 x 6.5mm	—
0 - 200mm	527-102	0.02mm	±0.03mm	100 x 6.5mm	with fine adjustment
0 - 300mm	527-203	0.05mm	±0.08mm	100 x 6.5mm	—
0 - 300mm	527-123	0.02mm	±0.04mm	100 x 6.5mm	—
0 - 300mm	527-103	0.02mm	±0.04mm	100 x 6.5mm	with fine adjustment
0 - 600mm	527-204	0.05mm	±0.10mm	250 x 10mm	—
0 - 600mm	527-104	0.02mm	±0.05mm	250 x 10mm	with fine adjustment
0 - 1000mm	527-205	0.05mm	±0.15mm	250 x 10mm	—
0 - 1000mm	527-105	0.02mm	±0.07mm	250 x 10mm	with fine adjustment

Inch					
Range	Order No.	Vernier reading	Accuracy	Remarks (base (W x T) / others)	
0 - 6"	527-111	.001"	±.001"	3.93" x .25"	with fine adjustment
0 - 8"	527-112	.001"	±.001"	3.93" x .25"	with fine adjustment
0 - 12"	527-113	.001"	±.0015"	9.8" x .39"	with fine adjustment
0 - 24"	527-114	.001"	±.002"	9.8" x .39"	with fine adjustment
0 - 40"	527-115	.001"	±.003"	9.8" x .39"	with fine adjustment

DIMENSION



M&W MAKE

Vernier Depth Gauge



(0.02mm / 0.001")

CODE	RANGE	PRICE
VDG 150	0-150 mm	900/-
VDG 200	0-200 mm	1,150/-
VDG 300	0-300 mm	1,400/-
VDG 600	0-600 mm	3,400/-