



BEARING & TOOL CENTRE



Head Office

1st Floor, Vyapar Bhavan, Kadia Kui,
Relief Road, Ahmedabad - 380001.
Ph:- 079 - 22160386, 65254835, 22134835
Mobile : 7819819941, 9375706649

Ahmedabad Branch

GF-B-14, Jayraj Complex, Nr. Soni ni Chawl,
Odhav, Ahmedabad - 382415.
Ph:- 079 - 22890202, 65458950, 65404657, 65400202
Mobile : 7878825197, 7819819938, 9375706648

Website : www.bearingtoolcentre.com, www.bearingtoolscentre.com | Email : info@bearingtoolcentre.com

Our Sister Concern : RELIEF SERVICE CENTRE

Repairs, Removal of Jaw Error, Bore Gauge Extension, Instrument Modifications & Spares

Quotation

46 Dial Height Gauge – multi beam [least count 0. 01 mm]

Range-mm	W	C	D %	0-300	0 – 450	0- 600	0 – 1000
Insize Rs.	6	N		15886	24875	29611	-
Code				1351-300	1351-450	1351-600	1351-1000
Catalog				Page - 2	Page - 2	Page - 2	Page – 2
M & W Rs.	6	N		8500		17500	
Code				HGDD 300		HGDD 600	
Catalog				Page – 2		Page - 2	
Precision Rs.			20	11700			
Mitutoyo Rs.	12	N	5	27610	41415	51455	125500
Code				192-130	192-131	192-132	192-133
Catalog				Page - 3	Page - 3	Page - 3	Page - 3

*** W – Warranty , C – Certificate , D- Discount

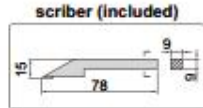
Terms & Conditions –

- Goods offered - Subject to Prior Sale
- Price Validity: "15 Days from Date of Quotation"
- C.S.T 2% extra against form C. Otherwise 5% without form C For Out of Gujarat Sales only.
- VAT 5% extra for Sales within Gujarat. Prices Ex-Godown Ahmedabad.
- Payment against Proforma Invoice, Packing, Forwarding & Freight extra.
- **Bank Detail** – Kotak Mahindra Bank Ltd.
- **Branch** – Shivranjini
- **Bank IFSC Code** - KKBK 0000 810
- **Bank Account No.** 08102 00000 2689
- Note - While making payment online do mention your Company's name.
- TIN NO 24070901229 , CST No. 24570901229
- We are looking forward to your valued orders.

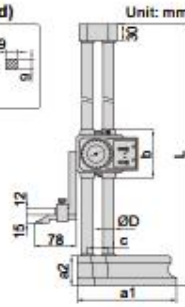
INSIZE MAKE

DIAL HEIGHT GAGE

- Dial indicator graduation: 0.01mm
- One counter reads in the plus direction and another in the minus direction, so incremental measurement can be made in either direction
- Carbide tipped scriber
- Made of stainless steel (except the base)
- With driving wheel
- Supplied with dust cover
- Optional accessory: dial test indicator holder (code 6293-6)



supplied with dust cover



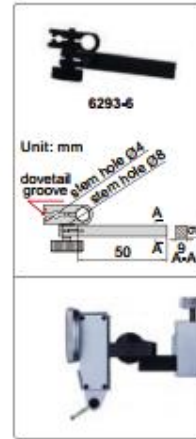
(mm)

Code	Range	Accuracy	L	a1	a2	b	c	ØD
1351-300	0-300mm	±0.04mm	475	135	43	84	33	15
1351-450	0-450mm	±0.05mm	660	180	54	88	38	20
1351-600	0-600mm	±0.05mm	810	180	54	88	38	20



driving wheel

dial test indicator holder (optional)

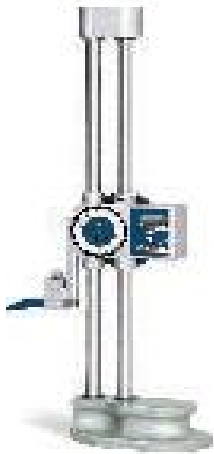


1351-300

M&W MAKE

Double Column Height Gauge Digit Dial Type

(0.01mm)



CODE	RANGE	PRICE
HGDD 300	0-300 mm	8,500/-
HGDD 600	0-600 mm	17,500/-

MITUTOYO MAKE

Dial Height Gage

SERIES 192 — with Digital Counter

FEATURES

- Easy and error-free reading with both up and down digital counters as well as a dial.
- Provided with a feed wheel for easy coarse feeding.
- Carbide-tipped scriber is provided.



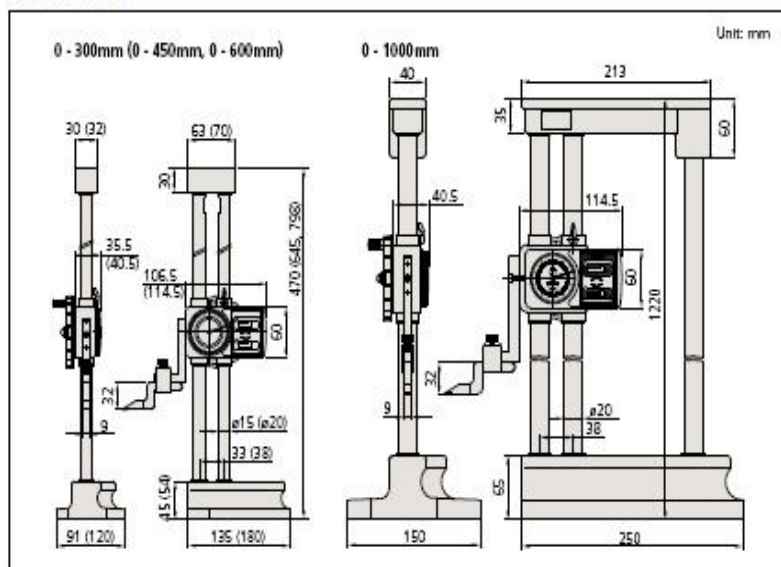
192-130

SPECIFICATIONS

Metric		
Range	Order No.	Accuracy
0 - 300mm	192-130	±0.03mm
0 - 450mm	192-131	±0.05mm
0 - 600mm	192-132	±0.05mm
0 - 1000mm	192-133	±0.07mm

Inch/Metric		
Range	Order No.	Accuracy
0 - 12"	192-140	±.0015"
0 - 18"	192-141	±.002"
0 - 24"	192-142	±.002"
0 - 40"	192-143	±.003"

DIMENSION



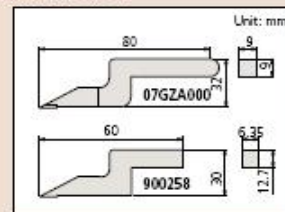
Technical Data

Accuracy: Refer to the list of specifications.
Dial reading: 0.01mm or .001"

Standard Scriber Provided

Metric models: Carbide-tipped scriber (07GZA000) and scriber clamp (05GZA033)
Inch/Metric models: Carbide-tipped scriber (900258) and scriber clamp (901385)

Dimension of scriber



Optional Accessory

- 953638: Holding bar for test indicator (length: 50mm)
- 900209: Holding bar for test indicator (length: 100mm)
- 953639: Holding bar for test indicator (length: 2')
- 900306: Holding bar for test indicator (length: 4')
- 900321: Swivel damp used with holding bar (metric)
- 900322: Swivel damp used with holding bar (inch)



Fitted in your arm



Easy and secure clamping



Easy and error free reading