



BEARING & TOOL CENTRE



Head Office

1st Floor, Vyapar Bhavan, Kadia Kui,
Relief Road, Ahmedabad - 380001.
Ph:- 079 - 22160386, 65254835, 22134835
Mobile : 7819819941, 9375706649

Ahmedabad Branch

GF-B-14, Jayraj Complex, Nr. Soni ni Chawl,
Odhav, Ahmedabad - 382415.
Ph:- 079 - 22890202, 65458950, 65404657, 65400202
Mobile : 7878825197, 7819819938, 9375706648

Website : www.bearingtoolcentre.com, www.bearingtoolscentre.com | Email : info@bearingtoolcentre.com

Our Sister Concern : RELIEF SERVICE CENTRE

Repairs, Removal of Jaw Error, Bore Gauge Extension, Instrument Modifications & Spares

Quotation

33 Digimatic Depth Vernier Caliper [Least Count – 0.01 mm] – with fine

Range-mm	W	C	D %	0-150	0 – 200	0-300	0-450	0-600	0-1000
Insize Rs.	12	N		3519	4273	9098	18090		
Code		N		1141 – 150A	1141-200A	1141-300A	1141-500A		
Catalog				Page No – 2	Page No – 2	Page No – 2	Page No – 2		
Insize Rs.	12			4675	4855	5035	7013		
SPC Cable (7302)				SPC1A	SPC2A	SPC3A	SPC4		
Catalog				Page No – 4	Page No – 4	Page No – 4	Page No – 4		
Aerospace Rs.		N	10	2130	3000	3500	--	9380	--
M & W	6	N		2900	3600	5000			
Code				DDG 150	DDG 200	DDG 300			
Catalog				Page No – 6	Page No – 6	Page No – 6			
Mitutoyo Rs.	12	N	5	19588	21975	25415	42760	45147	53370
Code				571-211/ 201	571-212 /202	571-203	571-204	571-205	571-207
Catalog				Page - 5	Page - 5	Page - 5	Page - 5	Page - 5	Page - 5

Note:- Aerospace item once sold will not be taken back even if it is Faulty.

*** W – Warranty , C – Certificate , D- Discount

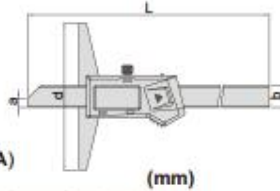
Terms & Conditions –

- Goods offered - Subject to Prior Sale
- Price Validity: "15 Days from Date of Quotation"
- C.S.T 2% extra against form C. Otherwise 5% without form C For Out of Gujarat Sales only.
- VAT 5% extra for Sales within Gujarat. Prices Ex-Godown Ahmedabad.
- Payment against Proforma Invoice, Packing, Forwarding & Freight extra.
- **Bank Detail** – Kotak Mahindra Bank Ltd.
- **Branch** – Shivranjini
- **Bank IFSC Code** - KKBK 0000 810
- **Bank Account No.** 08102 00000 2689
- Note - While making payment online do mention your Company's name.
- TIN NO 24070901229 , CST No. 24570901229
- We are looking forward to your valued orders.

INSIZE MAKE

DIGITAL DEPTH GAGE (STANDARD MODEL)

- Resolution: 0.01mm/0.0005"
- Buttons: on/off, zero, mm/inch
- Automatic power off, move the digital unit to turn on power
- Meet DIN862 (except 1141-500A)
- Battery CR2032
- Data output
- Made of stainless steel
- Optional accessory: data output cable (code 7306-20, 7302-SPC5A/SPC5B, 7305-SPC2A)



DATA OUTPUT

1141-150A

Code	Range	Accuracy	L	a	b	d
1141-150A	0-150mm/0-6"	±0.03mm	230	6	14.5	100
1141-200A	0-200mm/0-8"	±0.03mm	280	6	14.5	100
1141-300A	0-300mm/0-12"	±0.03mm	380	6	14.5	150
1141-500A	0-500mm/0-20"	±0.05mm	585	7	15	150

7302-SPC5A 7302-SPC5B 7302-SPC2A 7302-SPC3A 7302-SPC4



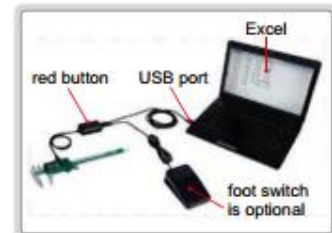
DATA OUTPUT CABLE



7304-2

Code	Description	Remark
7302-SPC5A	cable (length 2.5m)	for digital calipers and digital depth gages (not for 1103)
7302-SPC5B	cable (length 2.5m)	for digital calipers and digital depth gages (not for 1103)
7302-SPC2A	cable (length 2.5m)	for digital micrometers (not for 3631, 3632, 3108, 3109, 3635)
7302-SPC3A	cable (length 2.5m)	for digital indicators digital protractors
7302-SPC4	cable (length 2.5m)	for digital calipers 1103 series (for 1103 only)
7304-2	foot switch with cable (length 1.5m)	optional

- Connect to USB port of computer
- Without software, data can be input as keyboard signal to Excel, Word, etc.
- Press the red button or foot switch (optional) to input data



WIRELESS DATA TRANSFER SYSTEM

Code	Description	Applicable products
7306-1	receiver (with USB cable)	
7306-2	receiver (with RS232 cable)	
7306-20	transmitter	digital calipers and digital depth gages (not for 1103)
7306-30	transmitter	digital micrometers (not for 3631, 3632, 3108, 3109, 3635)
7306-40	transmitter	digital indicators
		digital protractors



APPLICABLE FOR OTHER BRANDS



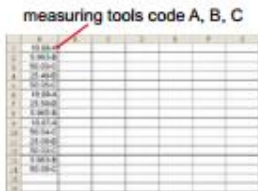
DATA COLLECTION:

- 1) Single collection: press the read button once to collect the reading from measuring tool once.
- 2) Multi collection: press the read button once to start collecting readings from measuring tools continuously, press the button again to stop collecting. Total collection times and interval time can be adjusted.

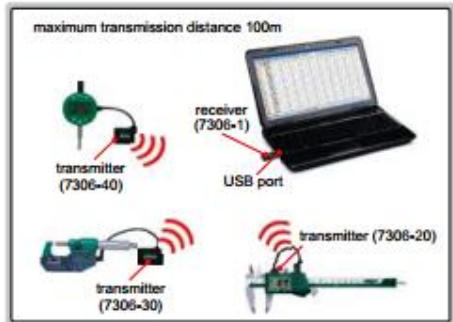


DISPLAY: data can be input to Excel as keyboard signal.

All data are displayed in the same column. Each measuring tool can be coded such as A, B, C, etc.



CONNECTION: one receiver can be connected to 30 transmitters.



RS232 DATA OUTPUT CABLE



7305-SPC1A



7305-SPC2A



7305-SPC3

automatic judgment by setting tolerance

test result display (maximum value, minimum value, total quantity of workpiece, quantity of Go and No-Go, quantity of exceed upper tolerance and exceed lower tolerance)

Measurement: -10.292 MM

Best Value: 0.000 Max: 0.000 Min: -10.292

Display: Avg: Max: Min: Range:

Auto Sampling Interval and Tolerance

manual sampling

automatic sampling

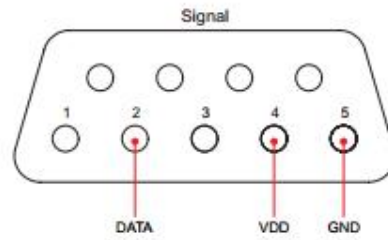
set auto sampling interval and tolerance



foot switch (optional) 7304-2



- Manual sampling and automatic sampling
- Press manual sampling button in software or red button on cable or foot switch once to collect the reading from measuring tool once
- Can be used in Windows Hyperterminal
- Supplied with software
- Voltage required: 5-10V
- Cable length 2.5m



Code	Applicable products	
7305-SPC1A		digital indicators digital protractors
7305-SPC2A		digital calipers and digital depth gages (not for 1103)
7305-SPC3		digital micrometers (not for 3631, 3632, 3108, 3109, 3635)
7304-2	foot switch with cable (length 1.5m), optional	

MITUTOYO MAKE

ABSOLUTE Digimatic Depth Gage

SERIES 571

FEATURES

- ABSOLUTE Digimatic Depth Gage can keep track of the origin point once set for the entire life of the battery.
- Base and measuring faces are hardened and micro-lapped.
- Optional wider extension base are available. (up to 450mm range models)
- With SPC data output.



SPECIFICATIONS

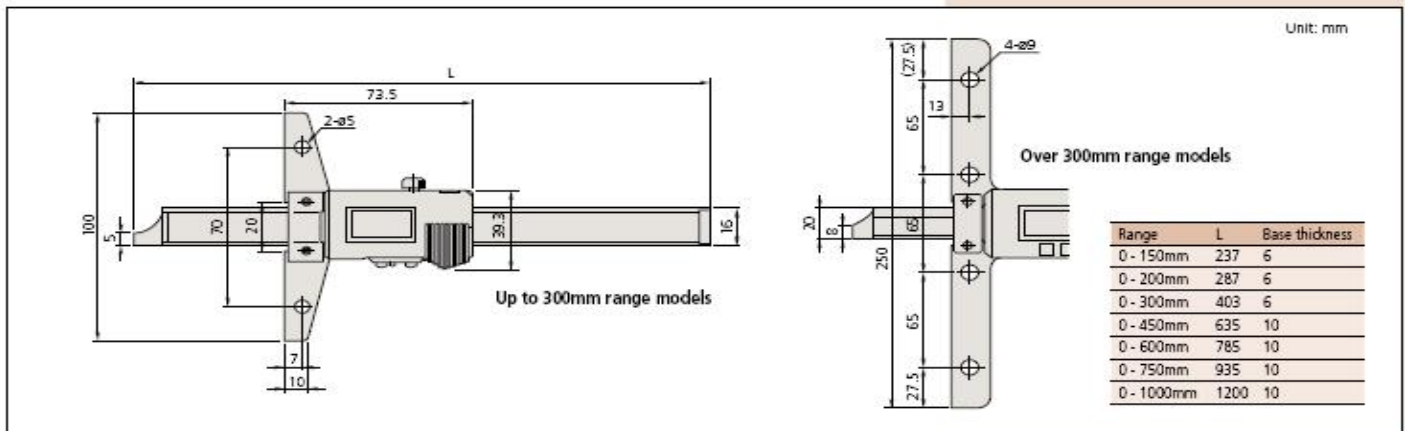
Metric		
Range	Order No.	Base (W x T)
0 - 150mm	571-201-20 / 571-251*	100 x 6mm
0 - 200mm	571-202-20 / 571-252*	100 x 6mm
0 - 300mm	571-203-20	100 x 6mm
0 - 450mm	571-204-10	250 x 10mm
0 - 600mm	571-205-10	250 x 10mm
0 - 750mm	571-206-10	250 x 10mm
0 - 1000mm	571-207-10	250 x 10mm

*IP67 Coolant Proof model

Inch/Metric		
Range	Order No.	Base (W x T)
0 - 6"	571-211-20 / 571-261*	3.93" x .23"
0 - 8"	571-212-20 / 571-262*	3.93" x .23"
0 - 24"	571-213-10	3.93" x .23"
0 - 18"	571-214-10	9.8" x .39"
0 - 24"	571-215-10	9.8" x .39"
0 - 30"	571-216-10	9.8" x .39"
0 - 40"	571-217-10	9.8" x .39"

*IP67 Coolant Proof model

DIMENSION



SPC

www.tuv.com
TUV
TUV Rheinland
ID:2011207493

IP67

(Refer to the page 9 for details.)

ABSOLUTE

Absolute System Patented by MITUTOYO

(Refer to the page 9 for details)

Technical Data

Accuracy: $\pm 0.02\text{mm}$ ($\leq 200\text{mm}$), $\pm 0.03\text{mm}$ ($\leq 300\text{mm}$), $\pm 0.05\text{mm}$ ($\leq 600\text{mm}$), $\pm 0.06\text{mm}$ ($\leq 750\text{mm}$), $\pm 0.07\text{mm}$ ($\leq 1000\text{mm}$) (excluding quantizing error)

Resolution: 0.01mm or .0005"/0.01mm

Repeatability: 0.01mm

Display: LCD

Length standard: ABSOLUTE electrostatic capacitance (electromagnetic induction)* type linear encoder

Max. response speed: Unlimited

Battery: SR44 (1 pc.), 938882

Battery life: Approx. 20,000 hours (3 years)* under normal use

Dust/Water protection level: IP67*

*Coolant Proof models

Function

Origin-set, Zero-setting, Automatic power on/off, Data output, inch/mm conversion (inch/mm models)

Alarm: Low voltage, Counting value composition error

Optional Accessory

- 959143: Data hold unit
- 959149: SPC cable with data switch (1m)
- 959150: SPC cable with data switch (2m)
- 05CZA624: SPC cable with data switch (1m)*
- 05CZA625: SPC cable with data switch (2m)*
- : Extension base (see page 179.)

*For Coolant Proof models



Measurement data output function is available with a water-resistant SPC cable.

MGW MAKE

