



# BEARING & TOOL CENTRE



## Head Office

1<sup>st</sup> Floor, Vyapar Bhavan, Kadia Kui,  
Relief Road, Ahmedabad - 380001.  
Ph:- 079 - 22160386, 65254835, 22134835  
Mobile : 7819819941, 9375706649

## Ahmedabad Branch

GF-B-14, Jayraj Complex, Nr. Soni ni Chawl,  
Odhav, Ahmedabad - 382415.  
Ph:- 079 - 22890202, 65458950, 65404657, 65400202  
Mobile : 7878825197, 7819819938, 9375706648

Website : [www.bearingtoolcentre.com](http://www.bearingtoolcentre.com), [www.bearingtoolscentre.com](http://www.bearingtoolscentre.com) | Email : [info@bearingtoolcentre.com](mailto:info@bearingtoolcentre.com)

## Our Sister Concern : RELIEF SERVICE CENTRE

Repairs, Removal of Jaw Error, Bore Gauge Extension, Instrument Modifications & Spares

### Quotation

#### 51 | Digimatic Dial Depth Gauge + Local depth attachment

Range-mm	W	C	D %	0 – 300	0-300
Base – mm				63 x 17	101.5x17
L.c. – mm				0.005	0.005
Insize Rs.	12	N		9962	10014
Code		N		2141 – 201A	2141-202A
Catalog				Page No – 2	Page No – 2
Aerospace Rs.		N		4560	4800
Mitutoyo Rs.	12	N	5	8015	8015
Code				543-681	543-681
Catalog				Page No – 5	Page No – 5

**Note:- Aerospace item once sold will not be taken back even if it is Faulty.**

\*\*\* W – Warranty , C – Certificate , D- Discount

#### 51 - 1 | Digimatic Dial Depth Gauge- L.C. 0.001mm - Mitutoyo

Range-mm	W	C	D %	0- 200	0 – 200
Base – mm				63	100
Mitutoyo Rs.	12	N	5	26910	27360
Code				547-251	547-252
Catalog				Page No – 3	Page No- 3

### Terms & Conditions –

- Goods offered - Subject to Prior Sale
- Price Validity: "15 Days from Date of Quotation"
- C.S.T 2% extra against form C. Otherwise 5% without form C For Out of Gujarat Sales only.
- VAT 5% extra for Sales within Gujarat. Prices Ex-Godown Ahmedabad.
- Payment against Proforma Invoice, Packing, Forwarding & Freight extra.
- **Bank Detail** – Kotak Mahindra Bank Ltd.
- **Branch** – Shivranjini
- **Bank IFSC Code** - KKBK 0000 810
- **Bank Account No.** 08102 00000 2689
- Note - While making payment online do mention your Company's name.
- TIN NO 24070901229 , CST No. 24570901229
- We are looking forward to your valued orders.

# INSIZE MAKE

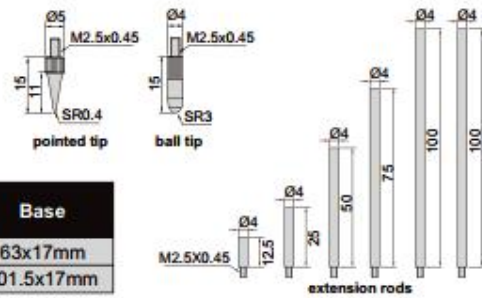
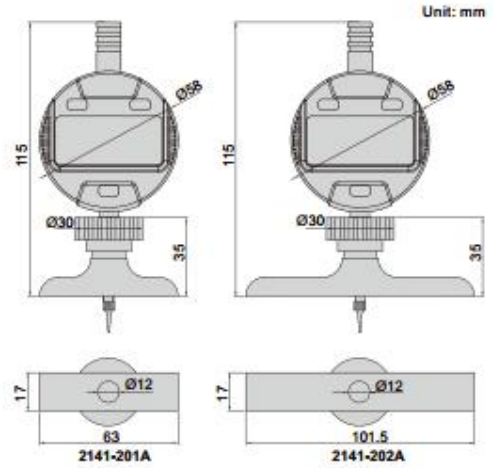
## DIGITAL DEPTH GAGE

DATA  
OUTPUT



2141-202A

- Button function: on/off, zero, mm/inch, ABS, data preset, change measuring direction
- CR2032 battery, automatic power off
- Data output
- Stainless steel base
- Extension rods: 12.5mm (1pc), 25mm (1pc), 50mm (1pc), 75mm (1pc), 100mm (2pcs)
- Supplied with pointed tip and ball tip
- Optional accessory: data output cable (code 7306-40, 7302-SPC3A, 7305-SPC1A)



Code	Range	Digital indicator stroke	Digital indicator resolution	Accuracy	Base
2141-201A	0-300mm/0-12"	12.7mm/0.5"	0.01mm/0.0005"	±0.02mm	63x17mm
2141-202A	0-300mm/0-12"	12.7mm/0.5"	0.01mm/0.0005"	±0.02mm	101.5x17mm

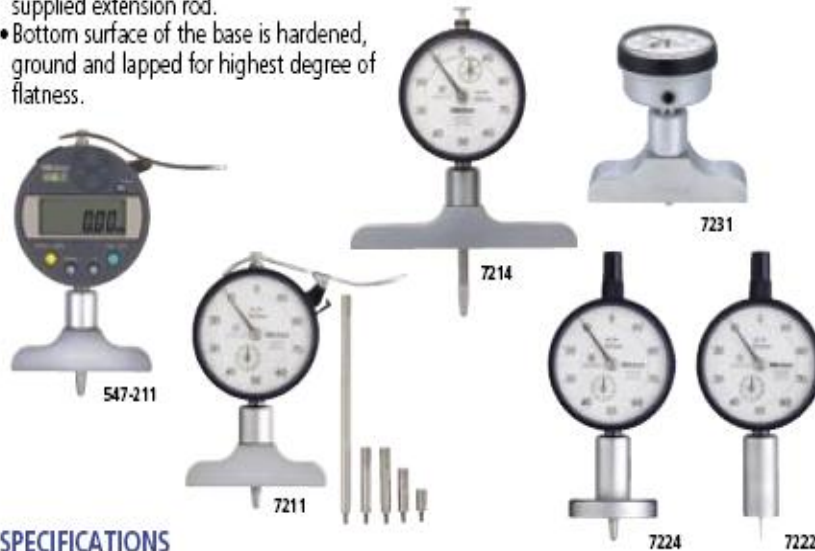
# MITUTOYO MAKE

## ABSOLUTE Digimatic/Dial Depth Gage

SERIES 547, 7

### FEATURES

- ABSOLUTE Digimatic Depth Gage can keep track of the origin point once set for the entire life of the battery. (series 547)
- Wide probing range is available with the supplied extension rod.
- Bottom surface of the base is hardened, ground and lapped for highest degree of flatness.
- Designed with a back plunger type dial indicator for upward facing readings. (7231, 7237, 7238)
- With SPC data output. (series 547)



### SPECIFICATIONS

Metric Digital Type					
Range	Order No.	Stroke	Accuracy	Extension rod	Base (W x T, flatness)
0 - 200mm	547-211	12mm	±20µm	5 pcs. (10, 20, 30, 30, 100mm)	63.5 x 16mm, 5µm
0 - 200mm	547-212	12mm	±20µm	5 pcs. (10, 20, 30, 30, 100mm)	101.6 x 16mm, 5µm
0 - 200mm	547-251	12mm	±5µm	5 pcs. (10, 20, 30, 30, 100mm)	63.5 x 16mm, 2µm
0 - 200mm	547-252	12mm	±5µm	5 pcs. (10, 20, 30, 30, 100mm)	101.6 x 16mm, 2µm

0.01mm graduation    0.001mm graduation

Inch/Metric Digital Type					
Range	Order No.	Stroke	Accuracy	Extension rod	Base (W x T, flatness)
0 - 8"	547-217	.5"	±.001"	4 pcs. (.5", 1", 2", 4")	2.5" x .63", .0002"
0 - 8"	547-218	.5"	±.001"	4 pcs. (.5", 1", 2", 4")	4" x .63", .0002"
0 - 8"	547-257	.5"	±.0003"	4 pcs. (.5", 1", 2", 4")	2.5" x .63", .00008"
0 - 8"	547-258	.5"	±.0003"	4 pcs. (.5", 1", 2", 4")	4" x .63", .00008"

.005"/0.01mm graduation    .00005"/0.001mm graduation

Metric Dial Type					
Range	Order No.	Stroke	Accuracy	Extension rod	Base (W x T, flatness)
0 - 10mm	7210*	10mm	±15µm	—	40 x 16mm, 5µm
0 - 200mm	7211	10mm	±15µm	5 pcs. (10, 20, 30, 30, 100mm)	63.5 x 16mm, 5µm
0 - 200mm	7212	10mm	±15µm	5 pcs. (10, 20, 30, 30, 100mm)	101.6 x 16mm, 5µm
0 - 210mm	7213	30mm	±30µm	3 pcs. (30, 60, 90mm)	63.5 x 16mm, 5µm
0 - 210mm	7214	30mm	±30µm	3 pcs. (30, 60, 90mm)	101.6 x 16mm, 5µm
0 - 200mm	7220	10mm	±15µm	5 pcs. (10, 20, 30, 30, 100mm)	100 x 18mm, 5µm
0 - 200mm	7221	10mm	±15µm	5 pcs. (10, 20, 30, 30, 100mm)	150 x 18mm, 5µm
0 - 10mm	7222*	10mm	±15µm	5 pcs. (10, 20, 30, 30, 100mm)	ø16mm, 5µm
0 - 10mm	7223	10mm	±15µm	5 pcs. (10, 20, 30, 30, 100mm)	ø25mm, 5µm
0 - 10mm	7224	10mm	±15µm	5 pcs. (10, 20, 30, 30, 100mm)	ø40mm, 5µm
0 - 200mm	7231	5mm	±15µm	5 pcs. (10, 20, 30, 30, 100mm)	63.5 x 16mm, 5µm

\*with needle probe



(Refer to the page 9 for details.)

### Technical Data of Digital Mode

Accuracy: Refer to the list of specifications.  
(excluding quantizing error for digital models)  
Resolution: 0.001mm, 0.01mm, .00005"/0.001mm or .0005"/0.01mm  
Flatness of base face: 5µm or 2µm  
Contact point: Carbide-tipped ball point or needle  
Measuring force: 1.5N  
Display: LCD  
Battery: SR44 (1 pc.), 938882  
Battery life: Approx. 5000 hours under normal use

### Technical Data of Dial Mode

Accuracy: Refer to the list of specifications.  
(excluding quantizing error for digital models)  
Dial reading: 0.01mm or .001"  
Flatness of base face: 5µm or 2µm  
Contact point: Carbide-tipped ball point  
(needle point: 7210, 7222)  
Measuring force: 1.4N (2.5N: 7213, 7214, 7217, 7218)

### Function of Digital Model

Origin-set, Zero-setting, Data hold, Data output, inch/mm conversion (inch/mm models)  
Alarm: Low voltage, Counting value composition error

### Optional Accessory for Digital Model

905338: SPC cable (1m)  
905409: SPC cable (2m)

Inch	Dial Type	Range	Order No.	Stroke	Accuracy	Extension rod	Base (W x T, flatness)
0 - .4"		0 - .4"	72175	1"	±.002"	4 pcs. (.5", 1", 2", 4")	2.5" x .63", .0002"
0 - .4"		0 - .4"	72185	1"	±.002"	4 pcs. (.5", 1", 2", 4")	4" x .63", .0002"
0 - .8"		0 - .8"	7217	1"	±.002"	3 pcs. (1", 2", 4")	2.5" x .63", .0002"
0 - .8"		0 - .8"	7218	1"	±.002"	3 pcs. (1", 2", 4")	4" x .63", .0002"
0 - .8"		0 - .8"	7237	2"	±.002"	4 pcs. (.5", 1", 2", 4")	2.5" x .63", .0002"
0 - .8"		0 - .8"	7238	2"	±.002"	4 pcs. (.5", 1", 2", 4")	4" x .63", .0002"

# ABSOLUTE Digimatic Indicator ID-S

## SERIES 543 — with Economical Design

### FEATURES

- As compact as standard Series 2 dial indicators.
- The ID-S indicates the absolute position of the spindle from the origin point at power-on, allowing to start measurements.
- After the initial zero-setting with the ORIGIN button, the repeated absolute positioning is no longer necessary over the entire battery life.
- Measurement error due to spindle over-speed is eliminated with the ABSOLUTE Encoder.
- SPC data output.



543-690  
IP42

### SPECIFICATIONS

SPC

ABSOLUTE<sup>®</sup>  
Absolute System Powered by MITSUTOYO

(Refer to the page 9 for details.)

### Technical Data

Accuracy: Refer to the list of specifications (excluding quantizing error)  
 Resolution: 0.01mm, 0.001mm, .0005"/0.01mm, .0001"/0.001mm or .00005"/0.001mm  
 Display: LCD  
 Length standard: ABSOLUTE electrostatic capacitance type linear encoder  
 Max. response speed: Unlimited  
 Measuring force: Refer to the list of specifications  
 Stem dia.: 8mm (ISO/JIS type) or 3/8" (ANSI/AGD type)  
 Contact point: Carbide ball with M2.5x0.45 (ISO/JIS type) Carbide ball with #4-48UNF (ANSI/AGD type)  
 Battery: SR44 (1 pc.), 938882  
 Battery life: Approx. 20,000 hours under normal use  
 Dust/Water protection level: IP42 (IP53: 543-694, 543-695, 543-696)

### Function

Origin-set, Zeraset, Counting direction switching, Power ON/OFF, Data output, inch/mm conversion (inch/mm models)  
 Alarm: Low voltage, Counting value composition error, Over-flow error

### Optional Accessory

Metric		ISO/JIS type		ANSI/AGD type		
Resolution	Order No. (w/ lug, flat-back)	Range	Accuracy	Measuring force	Remarks	
0.001mm	543-690	543-690B	12.7mm	0.003mm	2.0N or less	—
0.001mm	543-694	543-694B	12.7mm	0.003mm	2.5N or less	Dust-proof
0.01mm	543-681	543-681B	12.7mm	0.02mm	2.0N or less	—

Inch/Metric		ISO/JIS type		ANSI/AGD type		
Resolution	Order No. (w/ lug, flat-back)	Range	Accuracy	Measuring force	Remarks	
.00005"/0.001mm	543-691	543-691B	.5"	.00012"	2.0N or less	—
.00005"/0.001mm	543-695	543-695B	.5"	.00012"	2.5N or less	Dust-proof
.00005"/0.001mm	543-692	543-692B	.5"	.00012"	2.0N or less	—
.00005"/0.001mm	543-696	543-696B	.5"	.00012"	2.5N or less	Dust-proof
.0001"/0.001mm	543-693	543-693B	.5"	.00012"	2.0N or less	—
.0005"/0.01mm	543-682	543-682B	.5"	.0008"	2.0N or less	—
.0005"/0.01mm	543-683	543-683B	.5"	.0008"	2.0N or less	—

- 905338: SPC cable (1m)
- 905409: SPC cable (2m)
- 903424: Spindle lifting lever (ISO/JIS type)
- 903425: Spindle lifting lever (ANSI/AGD type)
- 540774: Spindle lifting cable
- 125317: Spare rubber boot (for dust-proof type)
- 02A CB610: Back with post
- 02A CB630: Adjustable back
- 02A CB640: Back with offset lug
- 02A CB650: Magnetic back
- 02A CB670: Back with screw mount
- 02A CB680: Back with adjustable bracket
- : Contact points (See page 264.)

## DIMENSION

