



BEARING & TOOL CENTRE



Head Office

1st Floor, Vyapar Bhavan, Kadia Kui,
Relief Road, Ahmedabad - 380001.
Ph:- 079 - 22160386, 65254835, 22134835
Mobile : 7819819941, 9375706649

Ahmedabad Branch

GF-B-14, Jayraj Complex, Nr. Soni ni Chawl,
Odhav, Ahmedabad - 382415.
Ph:- 079 - 22890202, 65458950, 65404657, 65400202
Mobile : 7878825197, 7819819938, 9375706648

Website : www.bearingtoolcentre.com, www.bearingtoolscentre.com | Email : info@bearingtoolcentre.com

Our Sister Concern : RELIEF SERVICE CENTRE

Repairs, Removal of Jaw Error, Bore Gauge Extension, Instrument Modifications & Spares

Quotation

6 | Digimatic Micrometer | Least Count 0.001 mm

Range-mm	W	C	D%	0-25	0 - 25	25-50	50-75	75-100
Insize Rs.	12	Y		4183	3332	5426	6360	7264
Code				3109-25A	3109-25S	3109-50A	3109-75A	3109-100A
Catalog				Page - 2	Page - 2	Page - 2	Page - 2	Page - 2
Insize Rs.-IP 54	12	Y		6358		6825	9027	9937
Code				3108-25		3108-50	3108-75	3108-100
Catalog				Page - 4		Page - 4	Page - 4	Page - 4
Insize Rs.	12			4855		4855	4855	4855
SPC Cable (7302)				SPC2A		SPC2A	SPC2A	SPC2A
Catalog				Page - 3		Page - 3	Page - 3	Page - 3
M & W Rs.	6	N		4250		4600	5500	6200
Code				OMDIG 25		OMDIG 50	OMDIG 75	OMDIG 100
Catalog				Page - 10		Page - 10	Page - 10	Page - 10
Aerospace Rs.		N	10	2470		3310	5380	6000
Advance Rs.		N	10			2800		
Baker Rs.	12	Y	15	5650		7200	8520	9860
Code				DMM -25		DMM-50	DMM-75	DMM-100
Catalog				Page - 5		Page - 5	Page - 5	Page - 5
Mitutoyo Rs	12	Y	5	7530	7844	9162	11170	12048
Code				293-821	293-240	293-241	293-242	293-243
Catalog				Page - 6	Page- 8,9	Page-8,9	Page - 8,9	Page - 8,9

6 - 1 | Digimatic Micrometer | Least Count 0.001 mm

Range-mm	W	C	D%	100-125	125-150	0-150	150-300
Insize Rs.	12	Y				20580	23807
Code						3506-150A	3506-300A
Catalog						Page - 4	Page - 4
M & W Rs.	6	N		7400	8400	12500	15500
Code				OMDIG 125	OMDIG 150		
Catalog				Page - 10	Page - 10		
Aerospace Rs.		N	10			13750	16130
Mitutoyo Rs	12	Y	5	21975	22425	33637	33637
Code				293-250	293-251	340-251	340-252
Catalog				Page - 8,9	Page -8,9		

6 - 2 | Digimatic Micrometer | Least Count 0.001 mm

Range (mm)	W	C	D	150-175	175-200	200-225	225-250	250-275	275-300
Mitutoyo Rs.	12	N	5	22875	23470	23920	24370	24821	25262
Code				293-252	293-253	293-254	293-255	293-256	293-257
Catalog				Page - 8,9	Page - 8,9	Page - 8,9	Page - 8,9	Page - 8,9	Page - 8,9

Note:- Aerospace item once sold will not be taken back even if it is Faulty. *** W - Warranty , C - Certificate , D- Discount

Terms & Conditions –

- Goods offered - Subject to Prior Sale
- Price Validity: "15 Days from Date of Quotation"
- C.S.T 2% extra against form C. Otherwise 5% without form C For Out of Gujarat Sales only.
- VAT 5% extra for Sales within Gujarat. Prices Ex-Godown Ahmedabad.
- Payment against Proforma Invoice, Packing, Forwarding & Freight extra.
- **Bank Detail** – Kotak Mahindra Bank Ltd.
- **Branch** – Shivranjini
- **Bank IFSC Code** - KKBK 0000 810
- **Bank Account No.** 08102 00000 2689
- Note - While making payment online do mention your Company's name.
- TIN NO 24070901229 , CST No. 24570901229
- We are looking forward to your valued orders.

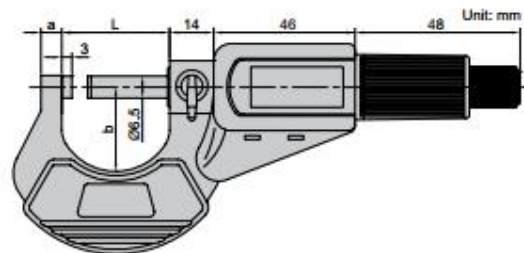
INSIZE MAKE

DIGITAL OUTSIDE MICROMETER

ATTENTION:
NO DATA OUTPUT



3109-25A



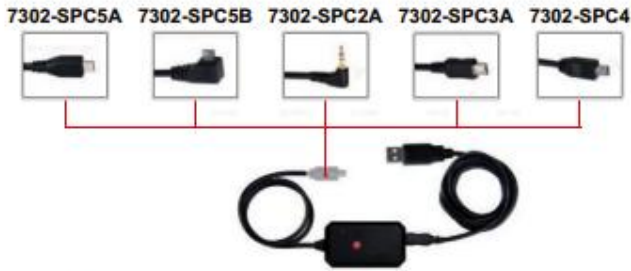
- Resolution 0.001mm/0.00005"
- Button function: on/off, set, mm/inch, ABS/INC
- No data output
- LR44 battery, automatic power off
- Carbide tips
- Ratchet thimble
- Supplied with spherical anvil
- Setting standards are included (except 0-25mm/0-1")



Code	Range	Accuracy	L	a	b
3109-25A*	0-25mm/0-1"	±2µm	32	6	27.5
3109-50A*	25-50mm/1-2"	±2µm	57	8	37
3109-75A*	50-75mm/2-3"	±3µm	82	8	50
3109-100A*	75-100mm/3-4"	±3µm	107	10	61

* Supplied with manufacturer inspection certificate traceable to DKD Germany










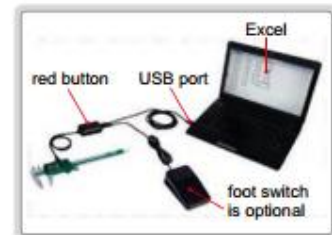
DATA OUTPUT CABLE



7304-2

Code	Description	Remark
7302-SPC5A	cable (length 2.5m)	 for digital calipers and digital depth gages (not for 1103)
7302-SPC5B	cable (length 2.5m)	 for digital calipers and digital depth gages (not for 1103)
7302-SPC2A	cable (length 2.5m)	 for digital micrometers (not for 3631, 3632, 3108, 3109, 3635)
7302-SPC3A	cable (length 2.5m)	 for digital indicators digital protractors
7302-SPC4	cable (length 2.5m)	 for digital calipers 1103 series (for 1103 only)
7304-2	foot switch with cable (length 1.5m)	optional

- Connect to USB port of computer
- Without software, data can be input as keyboard signal to Excel, Word, etc.
- Press the red button or foot switch (optional) to input data



IP54
WATERPROOF

DATA
OUTPUT

DIGITAL OUTSIDE MICROMETER WITH INTERCHANGEABLE ANVILS

- Resolution 0.001mm/0.0001" (resolution of 3506-100A and 3506-150A is 0.001mm/0.00005")
- IP54 dust/waterproof
- Button function: on/off, set, mm/inch, ABS/INC, data output
- Data output
- LR44 battery, automatic power off
- Ratchet stop
- Carbide measuring faces
- Supplied with setting standards
- Optional accessory: data output cable (code 7306-30, 7302-SPC2A, 7305-SPC3)



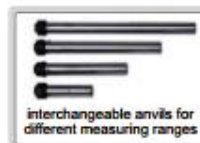
3506-100A



3506-400A



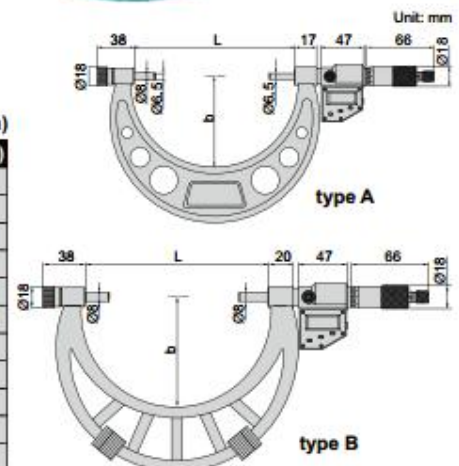
setting standard



interchangeable anvils for different measuring ranges

Code	Range	Type	Accuracy	L	b	Setting standard (included)
3506-100A	0-100mm/0-4"	A	±5μm	105	57	25, 50, 75
3506-150A	0-150mm/0-6"	A	±6μm	155	82	25, 50, 75, 100, 125
3506-300A	150-300mm/6-12"	A	±8μm	305	165	150, 175, 200, 225, 250, 275
3506-301A	200-300mm/8-12"	A	±8μm	305	165	200, 225, 250, 275
3506-400A	300-400mm/12-16"	B	±9μm	405	224	325, 375
3506-500A	400-500mm/16-20"	B	±11μm	505	275	425, 475
3506-600A	500-600mm/20-24"	B	±12μm	605	321	525, 575
3506-700A	600-700mm/24-28"	B	±13μm	705	371	625, 675
3506-800A	700-800mm/28-32"	B	±15μm	805	426	725, 775
3506-900A	800-900mm/32-36"	B	±16μm	905	476	825, 875
3506-1000A	900-1000mm/36-40"	B	±17μm	1005	576	925, 975

(mm)



type A

type B

BAKER MAKE

DIGITAL EXTERNAL MICROMETERS

TYPE	RANGE	READING	₹
DMM25	0 - 25 mm	0.001 mm / 0.00005"	5650
DMM50	25 - 50 mm	0.001 mm / 0.00005"	7200
DMM75	50 - 75 mm	0.001 mm / 0.00005"	8520
DMM100	75 - 100 mm	0.001 mm / 0.00005"	9860

NOTE: CALIBRATION CERTIFICATE IS SUPPLIED WITH EACH MICROMETER, TRACEABLE TO NATIONAL LENGTH STANDARDS.

Digital Micrometers



Salient Features:

- Accuracy confirming to DIN 863/1, DIN 40050/IEC 529.
- Carbide measuring faces.
- Protection level IP54.
- Each micrometer supplied with Calibration Certificate with actual values.
- Soft functional keys' for maximum operation comfort
- ON/OFF-Switch to ON/OFF battery power to digital Micrometer.
- Set-For origin in absolute [ABS] mode.
- Absolute mode {ABS}-Allows setting of an origin [starting point] to be used as reference in subsequent measurement [generally set to closed spindle position]. Once set, the micrometer will measure with reference to true position from the origin.
- Comparative mode [INC]-allows the display to be zero Set at point, for incremental comparison Measurement.
- MM/INC- Measurement unit Metric/English [mm/inch]
- SR 44 battery, Auto Power Off.
- Power consumption < =35 A
- Delivered in attractive sturdy box.
- Supplied with ball attachment free of cost.
- Real value for money.

MITUTOYO MAKE

Digimatic Micrometer

SERIES 293

FEATURES



293-571

SPECIFICATIONS

Metric With ratchet stop		
Range	Order No.	Accuracy
300 - 325mm	293-571	±6μm
325 - 350mm	293-572	±6μm
350 - 375mm	293-573	±6μm
375 - 400mm	293-574	±7μm
400 - 425mm	293-575	±7μm
425 - 450mm	293-576	±7μm
450 - 475mm	293-577	±8μm
475 - 500mm	293-578	±8μm

Inch/Metric With ratchet stop		
Range	Order No.	Accuracy
12" - 13"	293-771	±.0003"
13" - 14"	293-772	±.0003"
14" - 15"	293-773	±.0003"
15" - 16"	293-774	±.00035"
16" - 17"	293-775	±.00035"
17" - 18"	293-776	±.00035"
18" - 19"	293-777	±.0004"
19" - 20"	293-778	±.0004"



Technical Data

Accuracy: Refer to the list of specifications (excluding quantizing error)
 Resolution: 0.001mm or .0001"/0.001mm
 Flatness: 0.6μm
 Parallelism: 5μm for models up to 375mm
 6μm for models up to 475mm
 7μm for models over 500mm
 Measuring faces: Carbide tipped
 Display: LCD
 Battery: SR44 (2 pcs.), 938882
 Battery life: Approx. 1.8 years under normal use

Function

Preset, Zero-setting, Power ON/OFF, Data hold, Data output, inch/mm conversion (inch/mm models)
 Alarm: Low voltage, Counting value composition error

Optional Accessory

937387: SPC cable (1m)
 965013: SPC cable (2m)



Digimatic Micrometer

SERIES 293

FEATURES

- Simply measures 0 through 25mm with resolution to 0.001mm.
- Provided only with a origin-set key for easy origin setting.
- A ratchet stop or friction thimble for a constant measuring force.
- Measurement readout with large characters on the LCD screen.



293-821

SPECIFICATIONS

Metric With ratchet stop		
Range	Order No.	Accuracy
0 - 25mm	293-821	±2μm

Inch/Metric With ratchet stop		
Range	Order No.	Accuracy
0 - 1"	293-831	±.0001"

Inch/Metric With friction thimble		
Range	Order No.	Accuracy
0 - 1"	293-832	±.0001"



(Refer to the page 9 for details.)

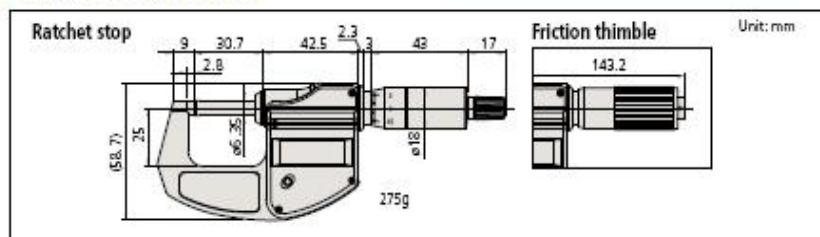
Technical Data

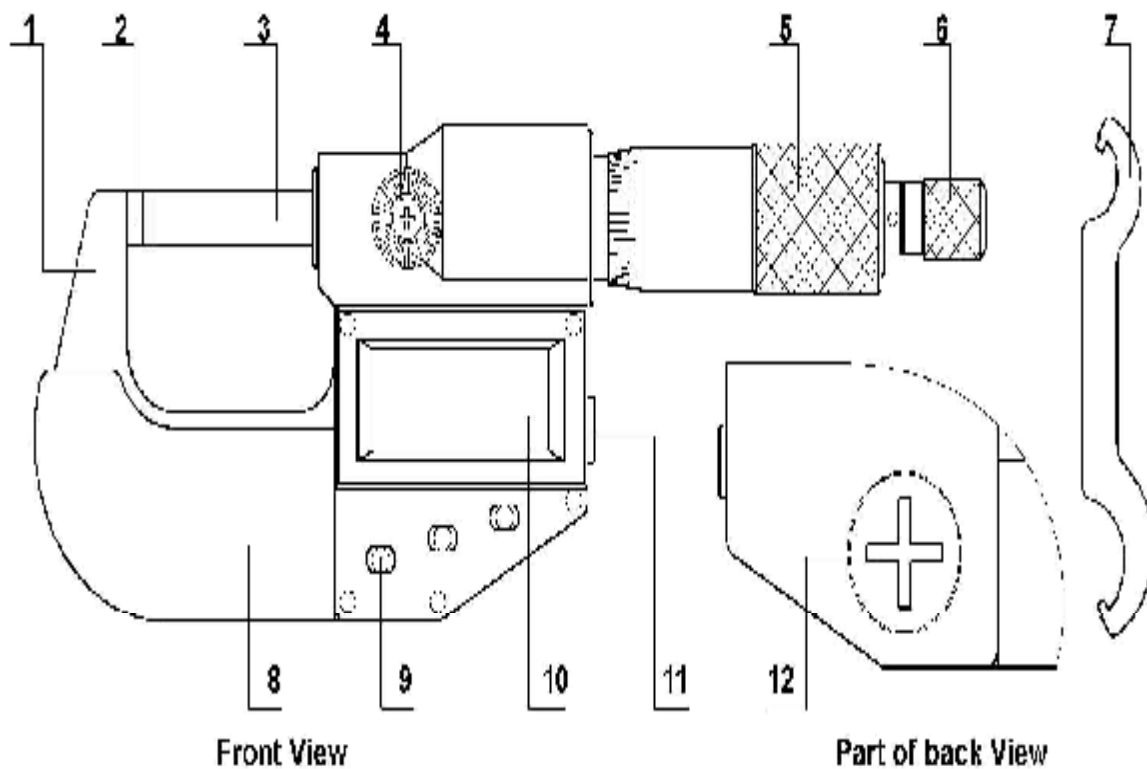
Accuracy: Refer to the list of specifications (excluding quantizing error)
 Resolution: 0.001mm or .00005"/0.001mm
 Flatness: 0.3μm
 Parallelism: 2μm
 Measuring faces: Carbide tipped
 Display: LCD
 Battery: SR44 (1 pc.), 938882
 Battery life: Approx. 1.2 years under normal use

Function

Origin-set, Automatic power on/off, inch/mm conversion (inch/mm models)
 Alarm: Low voltage, Counting value composition error

DIMENSION AND MASS





No.	Part Name	No.	Part Name
1	Frame	7	Spanner
2	Anvil	8	Frame cover
3	Spiral	9	Keys
4	Locking device	10	LED display
5	Scale reading device	11	RS232 data output
6	Ratchet stop	12	Battery cover

Coolant Proof Micrometer

SERIES 293 — with Dust/Water Protection Conforming to IP65 Level

FEATURES

- IP65 protection level, enabling use in environments exposed to cutting oil, etc*.
*Anti-corrosion treatment is required after use.
- Measurement data output function is available with a water-resistant connection cable.
- Oil-resistance materials are used in all plastic components.
- $\pm 1\mu\text{m}$ instrumental error (75mm or less range models)
- Auto power ON/OFF function.
- Certificate of inspection* is included. (50mm or less range models)
*It is not the type used to obtain calibration certificates.



293-230



293-252



293-231

293-230

293-232

293-233



Oil-resistance materials are used in all plastic components.



(Refer to the page 9 for details.)



(Refer to the page 9 for details.)



Certificate of inspection

Technical Data

- Accuracy: Refer to the list of specifications. (excluding quantizing error)
- Resolution: 0.001mm, .00005"/0.001mm (up to 4") or .0001"/0.001mm (over 4")
- Ratness: 0.3 μm
- Parallelism: 1 μm for models up to 50mm
2 μm for models up to 100mm
3 μm for models up to 175mm
4 μm for models up to 275mm
5 μm for models over 275mm
- Measuring faces: Carbide tipped
- Display: LCD
- Battery: SR44 (1 pc.), 938882
- Battery life: Approx. 1.2 years under normal use (8 months; over 100mm models)
- Dust/Water protection level: IP65

Function

- Origin-set, Preset (over 100mm models), Zero-setting, Automatic power ON/OFF, Data hold, Data output, inch/mm conversion (inch/mm models)
- Alarm: Low voltage, Counting value composition error

Optional Accessory

- 05CZA662: SPC cable with data switch (1m)
- 05CZA663: SPC cable with data switch (2m)

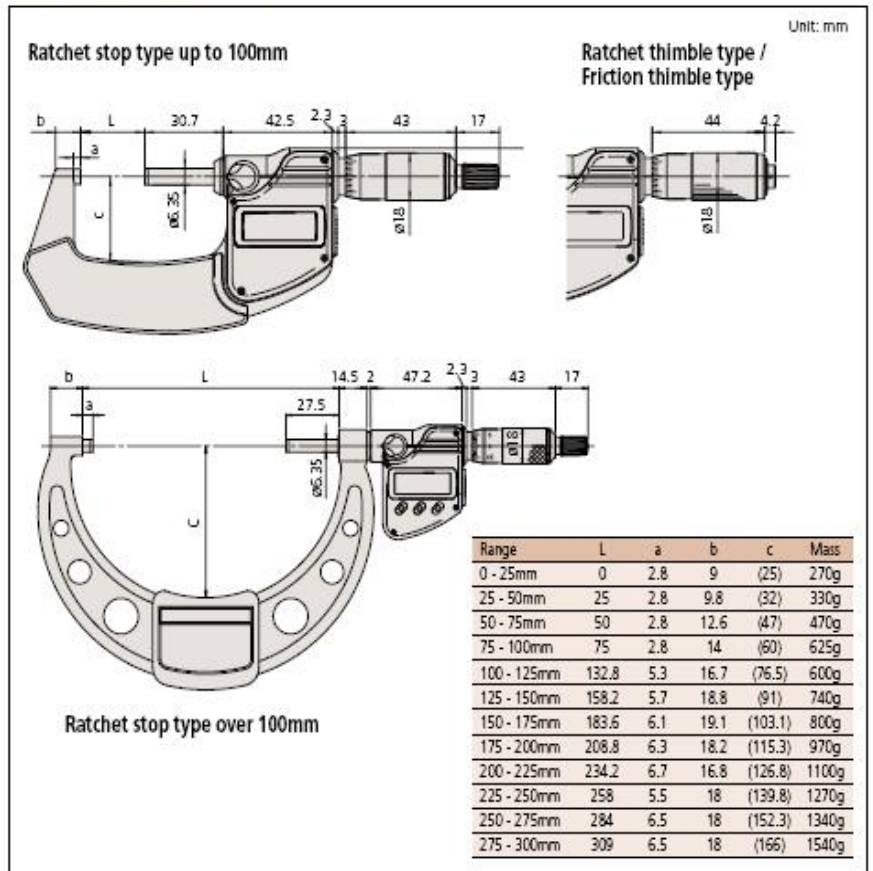


SPC cable with data switch



Measurement data output function is available with a water-resistant connection cable.

DIMENSION AND MASS



SPECIFICATIONS

Metric With ratchet stop

Range	Order No.	Accuracy
0 - 25mm	293-230 / 293-240*	±1µm
25 - 50mm	293-231 / 293-241*	±1µm
50 - 75mm	293-232 / 293-242*	±1µm
75 - 100mm	293-233 / 293-243*	±2µm
100 - 125mm	293-250	±2µm
125 - 150mm	293-251	±2µm
150 - 175mm	293-252	±3µm
175 - 200mm	293-253	±3µm
200 - 225mm	293-254	±3µm
225 - 250mm	293-255	±4µm
250 - 275mm	293-256	±4µm
275 - 300mm	293-257	±4µm

*without SPC data output

Metric With ratchet thimble

Range	Order No.	Accuracy
0 - 25mm	293-234 / 293-244*	±1µm
25 - 50mm	293-235 / 293-245*	±1µm
50 - 75mm	293-236 / 293-246*	±1µm
75 - 100mm	293-237 / 293-247*	±2µm

*without SPC data output

Metric With friction thimble

Range	Order No.	Accuracy
0 - 25mm	293-238 / 293-248*	±1µm

*without SPC data output

Inch/Metric With ratchet stop

Range	Order No.	Accuracy
0 - 1"	293-330 / 293-340*	±0.0005"
1" - 2"	293-331 / 293-341*	±0.0005"
2" - 3"	293-332 / 293-342*	±0.0005"
3" - 4"	293-333 / 293-343*	±0.001"
4" - 5"	293-350	±0.001"
5" - 6"	293-351	±0.001"
6" - 7"	293-352	±0.0015"
7" - 8"	293-353	±0.0015"
8" - 9"	293-354	±0.0015"
9" - 10"	293-355	±0.002"
10" - 11"	293-356	±0.002"
11" - 12"	293-357	±0.002"

*without SPC data output

Inch/Metric With ratchet thimble

Range	Order No.	Accuracy
0 - 1"	293-334 / 293-344*	±0.0005"
1" - 2"	293-345*	±0.0005"
2" - 3"	293-346*	±0.0005"
3" - 4"	293-347*	±0.001"

*without SPC data output

Inch/Metric With friction thimble

Range	Order No.	Accuracy
0 - 1"	293-335 / 293-348*	±0.0005"
1" - 2"	293-336	±0.0005"

*without SPC data output

M&W MAKE

Digimatic Outside Micrometer (0.001mm / 0.0005")



CODE	RANGE	PRICE
OMDIG 25	0-25 mm / 0-1"	4,250/-
OMDIG 50	25-50 mm / 1-2"	4,600/-
OMDIG 75	50-75 mm / 2-3"	5,500/-
OMDIG 100	75-100 mm / 3-4"	6,200/-
OMDIG 125	100-125 mm / 4-5"	7,400/-
OMDIG 150	125-150 mm / 5-6"	8,400/-