



# BEARING & TOOL CENTRE



## Head Office

1<sup>st</sup> Floor, Vyapar Bhavan, Kadia Kui,  
Relief Road, Ahmedabad - 380001.  
Ph:- 079 - 22160386, 65254835, 22134835  
Mobile : 7819819941, 9375706649

## Ahmedabad Branch

GF-B-14, Jayraj Complex, Nr. Soni ni Chawl,  
Odhav, Ahmedabad - 382415.  
Ph:- 079 - 22890202, 65458950, 65404657, 65400202  
Mobile : 7878825197, 7819819938, 9375706648

Website : [www.bearingtoolcentre.com](http://www.bearingtoolcentre.com), [www.bearingtoolscentre.com](http://www.bearingtoolscentre.com) | Email : [info@bearingtoolcentre.com](mailto:info@bearingtoolcentre.com)

## Our Sister Concern : RELIEF SERVICE CENTRE

Repairs, Removal of Jaw Error, Bore Gauge Extension, Instrument Modifications & Spares

### Quotation

149	Quick Mini
-----	------------

Range-mm	W	C	D %	0 - 12
MitutoyoRs.	12	N	4	6277
Code				700 - 119
Catalog				Page No. - 2
MitutoyoRs.	12	N	4	6277
Code 0.001				700 - 118
Catalog				Page No. - 2
M & W Rs.	6	N		2000
Code				QM 12
Catalog				Page No. - 2

\*\*\* W - Warranty , C - Certificate , D- Discount

### Terms & Conditions -

- Goods offered - Subject to Prior Sale
- Price Validity: "15 Days from Date of Quotation"
- C.S.T 2% extra against form C. Otherwise 5% without form C For Out of Gujarat Sales only.
- VAT 5% extra for Sales within Gujarat. Prices Ex-Godown Ahmedabad.
- Payment against Proforma Invoice, Packing, Forwarding & Freight extra.
- **Bank Detail** - Kotak Mahindra Bank Ltd.
- **Branch** - Shivranjini
- **Bank IFSC Code** - KKBK 0000 810
- **Bank Account No.** 08102 00000 2689
- Note - While making payment online do mention your Company's name.
- TIN NO 24070901229 , CST No. 24570901229
- We are looking forward to your valued orders.

# MITUTOYO MAKE

## Quick-Mini

**SERIES 700**

A compact comparator designed for carrying convenience, it is very suited for quick inspection of paper thickness, leather, wires, plastic parts, etc. The digital display provides error-free reading with 0.01 mm resolution.



700-117



700-121

Metric		
Range	Order No.	Accuracy
0 - 12mm	700-119	±0.02mm
0 - 25mm	700-121	±0.02mm

Inch/Metric		
Range	Order No.	Accuracy
0 - 5"/0 - 12mm	700-118	±.001"
0 - 1"/0 - 25mm	700-122	±.001"

### Technical Data

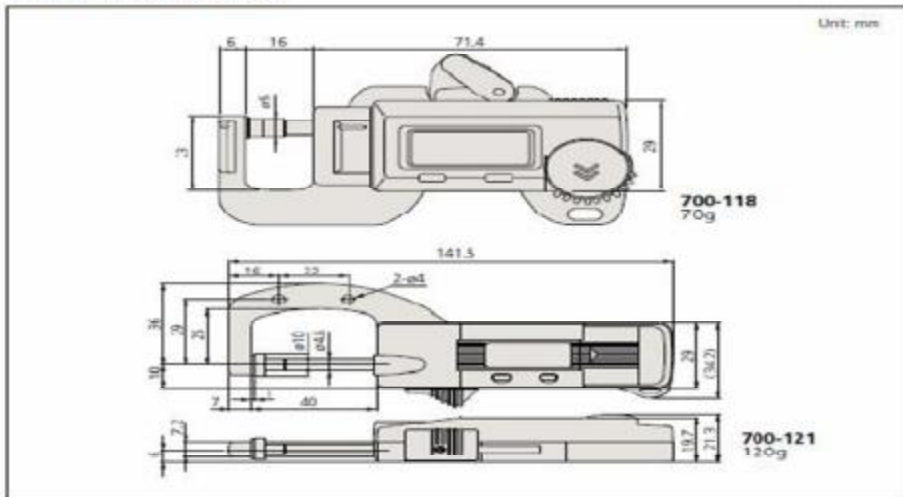
Accuracy: Refer to the list of specifications.  
 Resolution: 0.01mm or .0005"/0.01mm  
 Display: LCD  
 Battery: 5844 (1 pc.) 938882  
 Battery life: Approx. 2 years under normal use

### Function

Zero-setting, Data hold, Power ON/OFF, inch/mm (inch/mm models)



### DIMENSION AND MASS



# M&W MAKE

## Quick Mini Thickness Gauge

(0.01mm / 0.0005")



CODE	RANGE	PRICE
QM 12	0-12.7 mm	2,000/-