



BEARING & TOOL CENTRE



Head Office

1st Floor, Vyapar Bhavan, Kadia Kui,
Relief Road, Ahmedabad - 380001.
Ph:- 079 - 22160386, 65254835, 22134835
Mobile : 7819819941, 9375706649

Ahmedabad Branch

GF-B-14, Jayraj Complex, Nr. Soni ni Chawl,
Odhav, Ahmedabad - 382415.
Ph:- 079 - 22890202, 65458950, 65404657, 65400202
Mobile : 7878825197, 7819819938, 9375706648

Website : www.bearingtoolcentre.com, www.bearingtoolscentre.com | Email : info@bearingtoolcentre.com

Our Sister Concern : RELIEF SERVICE CENTRE

Repairs, Removal of Jaw Error, Bore Gauge Extension, Instrument Modifications & Spares

Quotation

14 | Screw Pitch / Thread Micrometer 0 – 25 mm x 0.01 (0.4 – 7 mm pitch – 6 set)

Make	Cert	AerospaceRs. / QLR	M & W Rs.	MitutoyoRs.
0 – 25 mm	N	3500	3600	11239
Code			STM 25	126 - 125
25 – 50 mm	N	4880	4200	--
Code			STM 50	
Disc %		10		5
Catalog			Page No. - 3	Page No. - 2

Note:- Aerospace item once sold will not be taken back even if it is Faulty.

* Mitutoyo price does not include anvil set / * Price of Aerospace & Yamayo & M & W - includes 6 pair anvil set.

14 - 1 | Assortment of Anvil –Spindle tips – 60 degree threads – Mitutoyo

Size – mm	D %	0.4 - 0.5	0.6 - 0.9	1.0 - 1.75	2.0 – 3.0	3.5 – 5.0	5.5 – 7.0
Size – TPI		64 – 48	44 – 28	24 – 14	13 – 9	8 – 5	4.5 – 3.5
Rs.	5	2513	2513	2513	2513	2513	2513
Code		126-801	126-802	126-803	126-804	126-805	126-806
Catalog		Page No. – 2	Page No. – 2	Page No. – 2	Page No. – 2	Page No. – 2	Page No. – 2

14 – 2 | Screw Pitch / Thread Micrometer 0 – 25 mm x 0.01 (0.4 – 7 mm pitch – 6 set)

Range	W	C	D %	0-25	25-50	50-75	75-100	100 – 125
M & W Rs.	6			3600	4200	4500	5200	6200
Catalog				Page No. – 2	Page No. - 2			

*** W – Warranty , C – Certificate , D- Discount

Terms & Conditions –

- Goods offered - Subject to Prior Sale
- Price Validity: "15 Days from Date of Quotation"
- C.S.T 2% extra against form C. Otherwise 5% without form C For Out of Gujarat Sales only.
- VAT 5% extra for Sales within Gujarat. Prices Ex-Godown Ahmedabad.
- Payment against Proforma Invoice, Packing, Forwarding & Freight extra.
- **Bank Detail** – Kotak Mahindra Bank Ltd.
- **Branch** – Shivranjini
- **Bank IFSC Code** - KKBK 0000 810
- **Bank Account No.** 08102 00000 2689
- Note - While making payment online do mention your Company's name.
- TIN NO 24070901229 , CST No. 24570901229
- We are looking forward to your valued orders

MITUTOYO MAKE

Screw Thread Micrometers

SERIES 326, 126 — Interchangeable Anvil-Spindle Tip Type

FEATURES

- IP65 water/dust protection (326 series).
- 60 degree or 55 degree V-anvil and conical spindle (interchangeable) are optional, which are made of high-grade special steel, hardened and precision ground.
- With Ratchet Stop for constant force.
- With SPC output (series 326).



SPECIFICATIONS

Metric	Digital model	Accuracy
Range	Order No.	Accuracy
0 - 25mm	326-251	±4µm
25 - 50mm	326-252	±4µm
50 - 75mm	326-253	±4µm
75 - 100mm	326-254	±5µm

Inch/Metric	Digital model	Accuracy
Range	Order No.	Accuracy
0 - 1"	326-351	±.0002"
1" - 2"	326-352	±.0002"
2" - 3"	326-353	±.0002"
3" - 4"	326-354	±.00025"

Metric	Order No.	Accuracy
Range	Order No.	Accuracy
0 - 25mm	126-125	±4µm
25 - 50mm	126-126	±4µm
50 - 75mm	126-127	±4µm
75 - 100mm	126-128	±5µm
100 - 125mm	126-129	±5µm
125 - 150mm	126-130	±5µm
150 - 175mm	126-131	±6µm
175 - 200mm	126-132	±6µm
200 - 225mm	126-133	±6µm
225 - 250mm	126-134	±7µm
250 - 275mm	126-135	±7µm
275 - 300mm	126-136	±7µm

Inch	Order No.	Accuracy
Range	Order No.	Accuracy
0 - 1"	126-137	±.0002"
1" - 2"	126-138	±.0002"
2" - 3"	126-139	±.0002"
3" - 4"	126-140	±.00025"

(Models with a range up to 7" are available.)



(Refer to the page 9 for details.)

Technical Data

Accuracy: Refer to the list of specifications.
(excluding quantizing error for digital models)
Resolution*: 0.001mm or .00005"/0.001mm
Graduation**: 0.01mm or .001"
Spindle feed error: 3µm
Display*: LCD
Battery*: SR44 (1 pc.), 938882
Battery life*: Approx. 8 months under normal use
Dust/Water protection level*: IP65
*Digital models **Analog models

Function of Digital Model

Zero-setting, Data hold, Automatic power ON/OFF, Data output, Preset, inch/mm conversion (inch/mm models)
Alarm: Low voltage, Counting value composition error

Optional Accessory

05CZA662: SPC cable with data switch (1m)*
05CZA663: SPC cable with data switch (2m)*

*Only for digital models

(See page 69.) Standard for screw thread micrometer

Anvil-spindle tip set:

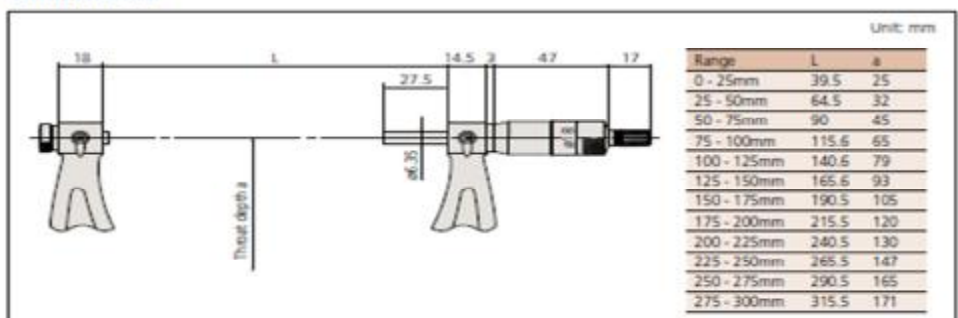
For Metric/Unified screws (60° threads)

Order No.	Assortment of anvil-spindle tips
126-800	0.4 - 0.5mm/64 - 48TPI (126-801) 0.6 - 0.9mm/44 - 28TPI (126-802) 1 - 1.75mm/24 - 14TPI (126-803) 2 - 3mm/13 - 9TPI (126-804) 3.5 - 5mm/8 - 5TPI (126-805) 5.5 - 7mm/4.5 - 3.5TPI (126-806)

For Whitworth screws (55° threads)

Order No.	Assortment of anvil-spindle tips
126-810	60 - 48TPI (126-811) 48 - 40TPI (126-812) 40 - 32TPI (126-813) 32 - 24TPI (126-814) 24 - 18TPI (126-815) 18 - 14TPI (126-816) 14 - 10TPI (126-817) 10 - 7TPI (126-818) 7 - 4.5TPI (126-819) 4.5 - 3.5TPI (126-820)

DIMENSION



MGW MAKE

Screw Thread Micrometer



(0.01mm)



CODE	RANGE	PRICE
STM 25	0-25 mm	3,600/-
STM 50	25-50 mm	4,200/-