



S

BEARING & TOOL CENTRE



Head Office

1st Floor, Vyapar Bhavan, Kadia Kui,
Relief Road, Ahmedabad - 380001.
Ph:- 079 - 22160386, 65254835, 22134835
Mobile : 7819819941, 9375706649

Ahmedabad Branch

GF-B-14, Jayraj Complex, Nr. Soni ni Chawl,
Odhav, Ahmedabad - 382415.
Ph:- 079 - 22890202, 65458950, 65404657, 65400202
Mobile : 7878825197, 7819819938, 9375706648

Website : www.bearingtoolcentre.com, www.bearingtoolscentre.com | Email : info@bearingtoolcentre.com

Our Sister Concern : RELIEF SERVICE CENTRE

Repairs, Removal of Jaw Error, Bore Gauge Extension, Instrument Modifications & Spares

Quotation

18 | Sheet Metal Micrometer - **Insize** Make | Least Count 0 . 01 mm

Range-mm (Outside)	W	C	D %	0-25	0-25	0-25	0-25	0-25
Type				A	B	B	C	-
InsizeRs.	12	N		6275	5909	7410	6280	6793
Code				3239-253	3239-253F	3239-254F	3239-253S	3263-25A
Calibration Rs.				250	250	250	250	250
Catalog				Page - 3	Page - 3	Page - 3	Page - 3	Page - 3

18 - 1 | Digital Sheet Metal Micrometer - **Insize** Make | Least Count 0 . 01 mm

Range-mm (Outside)	W	C	D %	0-25 / 0-1"	0-25 / 0-1"	0-25 / 0-1"	0-25 / 0-1"
Type				A	B	B	C
InsizeRs.	12	N		18614	18146	20748	18746
Code				3539-253A	3539-253FA	3539-254FA	3539-253SA
Calibration Rs.				250	250	250	250
Catalog				Page - 4	Page - 4	Page - 4	Page - 4

18 - 2 | Sheet Metal Micrometer - **Mitutoyo** Make | Least Count 0 . 01 mm

Range-mm (Outside)	W	C	D %	0-25	0-25	0-25	0-25	0-25	25-50	0-25
MitutoyoRs.	12	N	5	6655	6845	8772	9168	11978	9826	10051
Code				118-101	118-102	118-114	118-118	118-103	118-110	119-202
Calibration Rs.				250	250	250	250	250	250	250
Catalog				Page - 5	Page - 5	Page - 5	Page - 5	Page - 5	Page - 5	Page - 5

*** S-F: Spherical anvil and flat spindle, S-S: Spherical anvil and spherical spindle

18 - 3 | Digital Sheet Metal Micrometer - **Mitutoyo** Make | Least Count 0 . 01 mm

Range-mm (Outside)	W	C	D %	0-25	0-25	0-25	0-25	25-50	25-50	25-50
MitutoyoRs.	12	N	5	23172	23172	23470	45750	23920	25415	25865
Code				389-251	389-261	389-271	389-514	389-252	389-262	389-272
Catalog				Page - 5	Page - 5	Page - 5	Page - 5	Page - 5	Page - 5	Page - 5
M & W	6	N	-	3900						
Calibration Rs.				250	250	250	250	250	250	250

*** S-F: Spherical anvil and flat spindle, S-S: Spherical anvil and spherical spindle

Ø W - Warranty , C - Certificate , D- Discount

Terms & Conditions –

- Goods offered - Subject to Prior Sale
- Price Validity: "15 Days from Date of Quotation"
- C.S.T 2% extra against form C. Otherwise 5% without form C For Out of Gujarat Sales only.
- VAT 5% extra for Sales within Gujarat. Prices Ex-Godown Ahmedabad.
- Payment against Proforma Invoice, Packing, Forwarding & Freight extra.
- **Bank Detail** – Kotak Mahindra Bank Ltd.
- **Branch** – Shivranjini
- **Bank IFSC Code** - KKBK 0000 810
- **Bank Account No.** 08102 00000 2689
- Note - While making payment online do mention your Company's name.
- TIN NO 24070901229 , CST No. 24570901229
- We are looking forward to your valued orders.

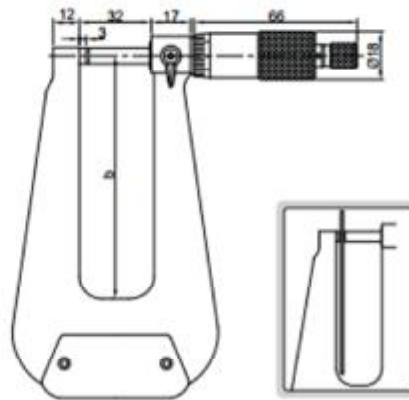
INSIZE MAKE

SHEET METAL MICROMETER

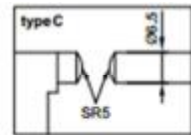
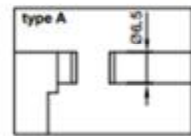


3239-253

Code	Range	Type	Accuracy	b (mm)
3239-253	0-25mm	A	5 μ m	155
3239-253F	0-25mm	B	5 μ m	155
3239-254F	0-25mm	B	6 μ m	310
3239-253S	0-25mm	C	5 μ m	155



Unit: mm



- Deep frame suitable for sheet metal, paper and plastic
- Graduation 0.01mm
- Ratchet stop
- Carbide measuring faces

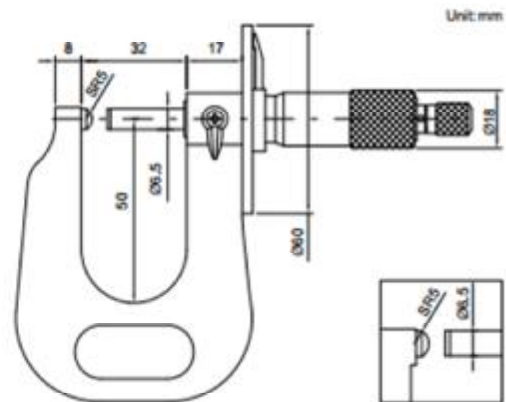
SHEET METAL MICROMETER



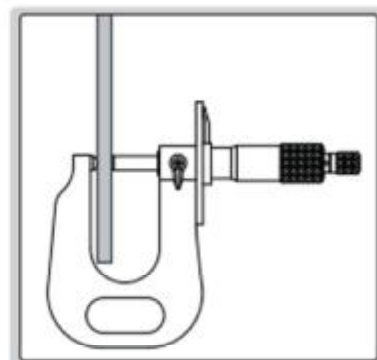
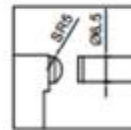
3263-25A

- Measure thickness of sheet metal, paper, plastic and rubber parts
- Graduation 0.01mm
- Ratchet stop
- Carbide measuring faces

Code	Range	Accuracy
3263-25A	0-25mm	4 μ m



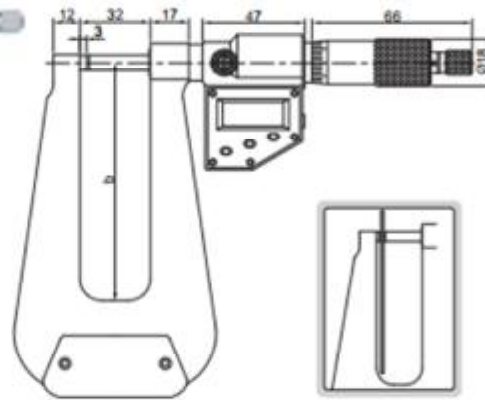
Unit: mm



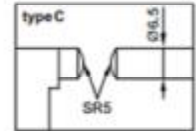
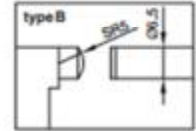
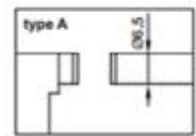
DIGITAL SHEET METAL MICROMETER



3539-253A



Unit: mm



Code	Range	Type	Accuracy	b (mm)
3539-253A	0-25mm/0-1"	A	±5µm	155
3539-253FA	0-25mm/0-1"	B	±5µm	155
3539-254FA	0-25mm/0-1"	B	±6µm	310
3539-253SA	0-25mm/0-1"	C	±5µm	155

- Deep frame suitable for sheet metal, paper and plastic
- Resolution 0.001 mm/0.00005"
- IP54 dust/waterproof
- Button function: on/off, set, mm/inch, ABS/INC, data output
- RS232 data output
- SR44 or LR44 battery, automatic power off
- Ratchet stop
- Carbide measuring faces
- Optional accessory: SPC cable (page A1-A2)

MITUTOYO MAKE

Sheet Metal Micrometers

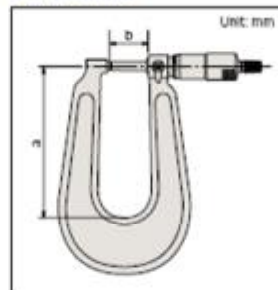
SERIES 389, 189, 119, 118

FEATURES

- Measures thickness of sheet metal, and rubber parts.
- With Ratchet Stop for constant force.
- With a standard except for 25mm model.
- IP65 water/dust protection (389 series*).
*Except for 389-513
- With digit counter (series 189).



DIMENSION



SPECIFICATIONS

Metric	Digital model		
Range	Order No.	Accuracy	a/b
0 - 25mm	389-251	±4μm	160/27.5mm
	389-261 ^{S,F}	±4μm	160/27.5mm
	389-271 ^{S,S}	±4μm	160/27.5mm
	389-513	±5μm	330/35mm
25 - 50mm	389-252	±4μm	165/27.5mm
	389-262 ^{S,F}	±4μm	165/27.5mm
	389-272 ^{S,S}	±4μm	165/27.5mm

S-F: Spherical anvil and flat spindle
S-S: Spherical anvil and spherical spindle

Metric	Mechanical counter model		
Range	Order No.	Accuracy	a/b
0 - 25mm	189-102	±4μm	160/27.5mm

Metric	Digital model		
Range	Order No.	Accuracy	a/b
0 - 25mm	118-101	±4μm	110/27.5mm
	118-102	±4μm	160/27.5mm
	118-114 ^{S,F}	±4μm	160/27.5mm
	118-118 ^{S,S}	±4μm	160/27.5mm
	118-103	±5μm	330/35mm
25 - 50mm	118-110	±4μm	165/27.5mm

S-F: Spherical anvil and flat spindle
S-S: Spherical anvil and spherical spindle

Metric	Dial reading model		
Range	Order No.	Accuracy	Throat
0 - 25mm	119-202 ^{S,F}	±4μm	50mm

S-F: Spherical anvil and flat spindle



Inch/Metric	Digital model		
Range	Order No.	Accuracy	a/b
0 - 1"	389-351	±.0002"	160/27.5mm
	389-361 ^{S,F}	±.0002"	160/27.5mm
	389-371 ^{S,S}	±.0002"	160/27.5mm
	389-713	±.00025"	330/35mm
1" - 2"	389-352	±.0002"	165/27.5mm
	389-362 ^{S,F}	±.0002"	165/27.5mm
	389-372 ^{S,S}	±.0002"	165/27.5mm

S-F: Spherical anvil and flat spindle
S-S: Spherical anvil and spherical spindle

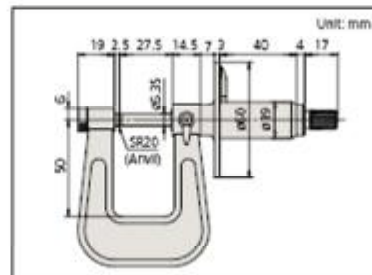
Inch	Mechanical counter model		
Range	Order No.	Accuracy	a/b
0 - 1"	189-129*	±.0002"	160/27.5mm

*.0001" reading is obtained with vernier.

Inch	Digital model		
Range	Order No.	Accuracy	a/b
0 - 1"	118-129*	±.0002"	160/27.5mm
	118-116 ^{S,F} *	±.0002"	160/27.5mm
	118-120 ^{S,S} *	±.0002"	160/27.5mm
	118-107	±.00025"	330/35mm
1" - 2"	118-112	±.0002"	165/27.5mm

S-F: Spherical anvil and flat spindle
S-S: Spherical anvil and spherical spindle
*.0001" reading is obtained with vernier.

DIMENSION



(Refer to the page 9 for details.)

Anvil-Spindle Combinations



Standard, Flat-Flat



Spherical-Flat (S-F)



Spherical-Spherical (S-S)

Technical Data

Accuracy: Refer to the list of specifications, (excluding quantizing error for digital models)
Resolution*: 0.001mm or .00005"/0.001mm
Graduation*: 0.01mm, .001" or .0001"
Flatness: 0.6μm for models with 150mm throat
1μm for models with 300mm throat
Parallelism: 3μm
Measuring faces: Carbide tipped
Display*: LCD
Battery*: SR44 (1 pc. (2 pcs.: 389-513 and 389-713)), 938882
Battery life*: Approx. 1.2 years under normal use (1.8 years: 389-513 and 389-713)
Dust/Water protection level*: IP65
*Digital models **Analog models

Function of Digital Model

Origin-set (Preset*), Zero-setting, Data hold, Power ON/OFF*, Data output, inch/mm conversion (inch/mm models)
Preset zero-setting Power ON/OFF Data hold Data output inch/mm conversion (inch/mm models) *only for 389-513, 389-713
Alarm: Low voltage, Counting value composition error

Optional Accessory for Digital Model

05CZA662: SPC cable with data switch (1m)
05CZA663: SPC cable with data switch (2m)
937387: SPC cable for 389-513/389-713 (1m)
965013: SPC cable for 389-513/389-713 (2m)

The 119 series is provided with a dial for making easy and quick reading.

